

Product Range
Poly16 Plus
2012

Compression Fittings
and Clamp Saddles



+GF+

GEORG FISCHER
PIPING SYSTEMS

Table of Contents

	Page
POLY16 Plus Compression Fittings Technical Specifications	4
POLY16 Plus Compression Fittings Assembly Instructions	5
POLY16 Plus Compression Fittings Range	7
POLY16 Plus Kits and Accessories	20
POLY16 Plus Universal Fittings	28
POLY16 Plus Clamp Saddles Technical Specifications	31
POLY16 Plus Clamp Saddles Assembly Instructions	32
POLY16 Plus Clamp Saddles Range	33
POLY16 Plus Tapping Saddle Technical Specifications	41
POLY16 Plus Tapping Saddle Assembly Instructions	42
POLY16 Plus Tapping Saddle Range	44
AN Clamp Saddles Technical Specifications	49
AN Clamp Saddles Range	50
Code Index	52

POLY16 Plus Compression Fittings

Technical Specifications

The Poly16 fittings have a «prelubricated double lip gasket» in NBR patented by Georg Fischer which helps to overcome difficulties: with ovalized/scratched- undersized pipes. Thanks to the active sealing system with thrust ring, the double lip gasket guarantees a perfect adherence to the pipe increasing the contact surface. The double lip gasket also grants high resistance in case of vacuum and/or suction.

For fittings Ø 75-90-110: The spring gasket guarantees simple and fast installation with easy insertion of the pipe assuring a perfect and constant seal and resistance to the internal pressure even in case of ovalized/scratched-undersized pipes.

Pressure range	MOP of 16 bar for the complete range of Poly16 fittings from d16 to d110 mm
Temperature range	-10 °C to +45 °C
Materials	<p>Body and thrust ring UV stabilized polypropylene (PP)</p> <p>Nut UV stabilized blue polypropylene (PP)</p> <p>Clamp ring Polyacetal (POM)</p> <p>Gasket Food-safe NBR rubber suitable for potable water.</p> <p>Reinforcement ring (for female thread) from 1 1/4" to 4" Stainless steel AISI 430</p>
Regulation for drinking water	<p>Poly16 compression fittings comply with the strictest regulations in existence worldwide, e.g.:</p> <ul style="list-style-type: none"> - W270 and KTW (Germany) - ATA (Netherlands) - DM 174-06/04/2004 (Italy) - Global Mark (Australia) - ACS (France)
Approvals*	<ul style="list-style-type: none"> - DVGW (Germany) - IIP (Italy) - SVGW (Switzerland) - KIWA (Netherlands) - ACS (France) - Global Mark (Australia)
Standards	<p>For PE pipes: DIN EN 12201; ISO 11922-1; DIN 8074; EN 12201-1/2; AS/NZS 4130; BS 6572; BS 6730; ISO 4427; UNI 7990; ISO 12162</p> <p>Threads DIN EN 10226 (ISO 7-1); BS 21; AS 1722.1</p> <p>Flanges DIN EN1092-1; DIN 2501.1</p>
Test standards	ISO 14236; DIN 8076-3; AS/NZS 4129; BRL K534/03 -UNI; ISO 3501; ISO 3503; ISO 3458; ISO 3459; VP609



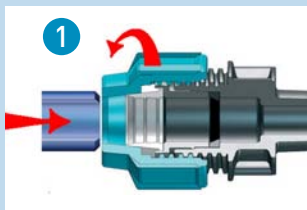
* see details at www.piping.georgfischer.com

POLY16 Plus Compression Fittings

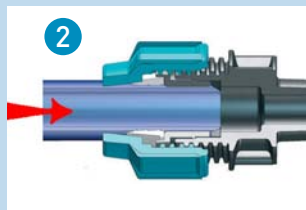
Assembly Instructions

Ø 16 - 63mm

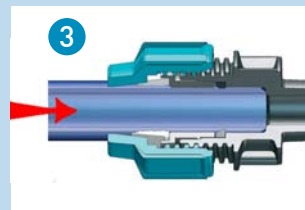
Before proceeding with the assembly, check the presence of all components (clamp ring, gasket thrust ring).



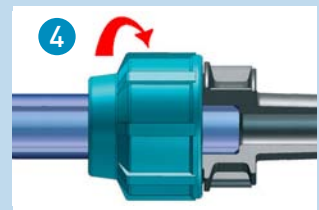
1 Cut the pipe square and deburr it. Grease the seal, in case it is dry. Partially unscrew the nut.



2 Mark the insert depth on the pipe. Push the fitting on the pipe through the clamp ring until the first stop, indicating you have reached the seal.



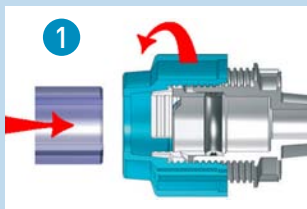
3 Push the pipe through the seal until you reach the pipe stop of the fitting.



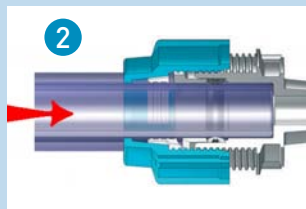
4 Tighten the nut as tightly as possible. Tightening with GF wrench or a wrench for fittings.

Ø 75 - 110mm

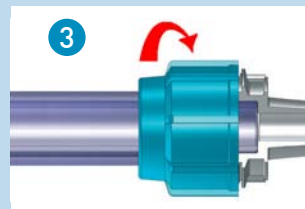
Before proceeding with the assembly, check the presence of all components (clamp ring, thrust ring, gasket).



1 Cut the pipe square and deburr it without chamfering. Partially unscrew the nut.



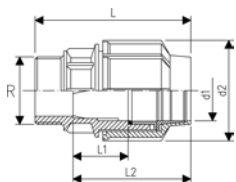
2 Push the fitting on the pipe until you have reached the pipe stop.



3 Tighten the nut as tightly as possible with GF wrench, or a wrench for fittings.

POLY16 Plus COMPRESSION FITTINGS

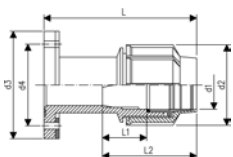
Male adaptor



- active sealing system (with thrust ring); d16-63 double lip gasket; d75-110 spring gasket
- installation without disassembling
- suitable for PE and PEX-a pipes
- water PN16
- material: PP
- gasket: NBR quality for drinkable water
- male thread: ISO 7 (conical)
- colour: blue-black

d	R	PN	Code	SP	GP	kg	d1	d2	L	L1	L2
[mm]	[inch]						[mm]	[mm]	[mm]	[mm]	[mm]
16	1/2	16	727 926 329	25	350	0.045	22	46	76	20	58
16	3/4	16	727 926 330	25	325	0.047	22	46	76	20	58
20	1/2	16	727 926 306	25	350	0.043	22	46	76	16	56
20	3/4	16	727 926 333	25	325	0.045	22	46	77	15	55
20	1	16	727 926 332	25	300	0.049	22	46	79	15	55
25	1/2	16	727 926 337	25	200	0.067	28	57	80	18	62
25	3/4	16	727 926 307	25	200	0.068	28	57	82	18	62
25	1	16	727 926 336	25	200	0.070	28	57	86	18	64
32	3/4	16	727 926 341	25	125	0.103	34	67	89	20	68
32	1	16	727 926 308	25	125	0.105	34	67	92	20	68
32	1 1/4	16	727 926 340	25	125	0.107	34	67	94	20	70
32	1 1/2	16	727 926 339	25	125	0.108	34	67	93	20	68
40	1	16	727 926 346	70	-	0.207	44	82	113	28	87
40	1 1/4	16	727 926 309	70	-	0.208	44	82	115	28	87
40	1 1/2	16	727 926 345	70	-	0.212	44	82	115	27	87
40	2	16	727 926 347	60	-	0.219	44	82	115	27	87
50	1	16	727 926 353	40	-	0.278	54	93	125	30	99
50	1 1/4	16	727 926 352	40	-	0.281	54	93	127	30	99
50	1 1/2	16	727 926 310	40	-	0.283	54	93	126	30	99
50	2	16	727 926 351	40	-	0.291	54	93	132	30	99
63	1 1/2	16	727 926 358	20	-	0.563	65	117	154	41	119
63	2	16	727 926 311	20	-	0.568	65	117	156	41	119
63	2 1/2	16	727 926 357	20	-	0.579	65	117	160	41	119
75	2	16	727 926 364	18	-	0.820	77	134	177	56	138
75	2 1/2	16	727 926 312	18	-	0.823	77	134	178	56	134
75	3	16	727 926 363	18	-	0.848	77	134	178	56	136
90	2	16	727 926 371	8	-	1.390	93	160	205	68	168
90	2 1/2	16	727 926 372	8	-	1.398	93	160	210	68	168
90	3	16	727 926 313	8	-	1.414	93	160	210	68	168
90	4	16	727 926 369	8	-	1.474	93	160	216	68	168
110	3	16	727 926 376	6	-	1.865	113	181	226	71	178
110	4	16	727 926 314	6	-	1.908	113	181	231	71	178

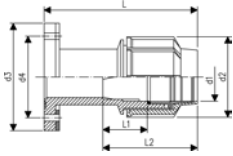
Flanged joint with metal flange



- active sealing system (with thrust ring); d50-63 double lip gasket; d75-110 spring gasket
- installation without disassembling
- suitable for PE and PEX-a pipes
- water PN16
- material: PP
- gasket: NBR quality for drinkable water
- flange: steel
- colour: blue-black

d	DN	DN	PN	Code	SP	GP	kg
[mm]	[inch]	[mm]					
50	1 1/2	40	16	727 706 350	16	-	1.291
50	2	50	16	727 706 351	16	-	1.241
63	2	50	16	727 706 311	12	-	1.527
63	2 1/2	65	16	727 706 357	12	-	1.823
75	2 1/2	65	16	727 706 312	8	-	1.945
75	3	80	16	727 706 363	6	-	2.138

table continued next page



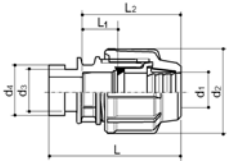
d [mm]	DN [inch]	DN [mm]	PN	Code	SP	GP	kg
90	3	80	16	727 706 313	5	-	2.744
90	4	100	16	727 706 369	5	-	2.959
110	4	100	16	727 706 314	4	-	3.343

d [mm]	DN [inch]	d1 [mm]	d2 [mm]	d3 [mm]	d4 [mm]	L [mm]	L1 [mm]	L2 [mm]
50	1 ½	54	93	150	110	170	36	100
50	2	54	93	174	125	170	36	100
63	2	65	117	174	125	193	48	126
63	2 ½	65	117	185	145	195	48	127
75	2 ½	78	134	185	145	197	104	185
75	3	78	134	200	160	197	82	162
90	3	93	160	200	160	232	65	166
90	4	93	160	220	181	232	65	166
110	4	113	181	220	181	239	107	220

Shouldered adaptor type Victaulic



- active sealing system (with thrust ring); d16-63 double lip gasket; d75-110 spring gasket
- installation without disassembling
- suitable for PE and PEX-a pipes
- water PN16
- material: PP
- gasket: NBR quality for drinkable water
- colour: blue-black

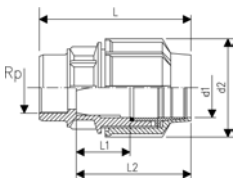


d [mm]	Code	SP	GP	kg	L [mm]	L2 [mm]	d2 [mm]	d1 [mm]	L1 [mm]	d3 [mm]	d4 [mm]
50	158 001 877	40	-	0.314	140	105	93	53	30	59	66
63	158 001 878	20	-	0.574	165	130	117	65	50	59	66
110	158 001 879	6	-	1.867	230	170	181	113	48	112	122

Female adaptor

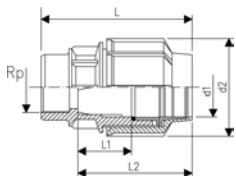


- (*) with stainless steel reinforcement ring **AISI430**
- active sealing system (with thrust ring); d16-63 double lip gasket; d75-110 spring gasket
- installation without disassembling
- suitable for PE and PEX-a pipes
- water PN16
- material: PP
- gasket: NBR quality for drinkable water
- female thread: ISO 7 (parallel)
- colour: blue-black



d [mm]	Rp [inch]	PN	Code	SP	GP	kg	d1 [mm]	d2 [mm]	L [mm]	L1 [mm]	L2 [mm]
16	½	16	727 916 329	25	325	0.046	22	46	78	15	54
16	¾	16	727 916 330	25	300	0.052	22	46	78	13	52
20	½	16	727 916 306	25	325	0.044	22	46	78	17	58
20	¾	16	727 916 333	25	300	0.050	22	46	78	16	57
25	½	16	727 916 337	25	175	0.074	28	57	86	18	61
25	¾	16	727 916 307	25	175	0.078	28	57	86	18	61
25	1	16	727 916 336	25	150	0.082	28	57	86	18	61
32	¾	16	727 916 341	25	125	0.112	34	67	95	20	67
32	1	16	727 916 308	25	125	0.114	34	67	95	20	67
* 32	1 ¼	16	727 916 340	25	125	0.142	34	67	96	20	67
40	1	16	727 916 346	70	-	0.212	44	82	111	28	87
* 40	1 ¼	16	727 916 309	70	-	0.241	44	82	116	28	87
* 40	1 ½	16	727 916 345	70	-	0.254	44	82	116	28	87
* 50	1	16	727 916 353	40	-	0.283	54	93	123	30	99
* 50	1 ¼	16	727 916 352	40	-	0.295	54	93	129	30	99
* 50	1 ½	16	727 916 310	40	-	0.324	54	93	128	30	99
* 50	2	16	727 916 351	40	-	0.365	54	93	133	30	99
* 63	1 ½	16	727 916 358	20	-	0.610	65	117	158	51	128

table continued next page

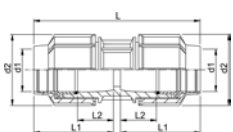


d [mm]	Rp [inch]	PN	Code	SP	GP	kg	d1 [mm]	d2 [mm]	L [mm]	L1 [mm]	L2 [mm]
* 63	2	16	727 916 311	20	-	0.656	65	117	161	51	128
* 63	2 ½	16	158 001 728	18	-	0.665	65	117	162	46	122
* 75	2	16	727 916 364	18	-	0.891	78	134	169	56	136
* 75	2 ½	16	727 916 312	18	-	0.898	78	134	174	56	136
* 75	3	10	158 001 729	16	-	0.901	78	134	174	56	136
* 90	2	16	727 916 371	8	-	1.474	93	160	196	55	155
* 90	2 ½	16	727 916 372	8	-	1.478	93	160	210	55	155
* 90	3	10	727 916 313	8	-	1.488	93	160	196	55	155
* 110	3	10	727 916 376	6	-	1.923	113	181	215	48	170
* 110	4	10	727 916 314	6	-	1.987	113	181	215	48	170

Coupling



- active sealing system (with thrust ring); d16-63 double lip gasket; d75-110 spring gasket
- installation without disassembling
- suitable for PE and PEX-a pipes
- water PN16
- material: PP
- gasket: NBR quality for drinkable water
- colour: blue-black

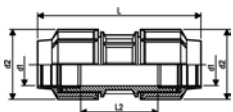


d [mm]	PN	Code	SP	GP	kg	d1 [mm]	d2 [mm]	L [mm]	L1 [mm]	L2 [mm]
16	16	727 906 305	25	175	0.081	22	46	114	55	14
20	16	727 906 306	25	175	0.076	22	46	114	55	14
25	16	727 906 307	25	100	0.119	28	57	124	62	17
32	16	727 906 308	25	50	0.183	34	67	136	65	18
40	16	727 906 309	35	-	0.374	44	80	176	86	27
50	16	727 906 310	25	-	0.496	54	93	195	96	27
63	16	727 906 311	15	-	1.007	65	115	248	122	42
75	16	727 906 312	12	-	1.506	78	134	278	136	54
90	16	727 906 313	5	-	2.555	93	164	336	167	61
110	16	727 906 314	3	-	3.373	113	186	381	190	71

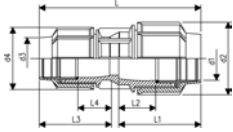
Repairing coupling (without pipe stop)



- non-compliance with kits and metal grip ring
- active sealing system (with thrust ring); d20-32 O-ring gasket; d40-63 oval gasket; d75-110 spring gasket
- installation without disassembling
- suitable for PE and PEX-a pipes
- water PN16
- material: PP
- gasket: NBR quality for drinkable water
- colour: blue-black



d [mm]	PN	Code	SP	GP	kg	d1 [mm]	d2 [mm]	L [mm]	L2 [mm]
20	16	727 936 306	25	175	0.075	22	46	114	34
25	16	727 936 307	25	100	0.124	28	57	126	43
32	16	727 936 308	25	50	0.184	35	67	131	39
40	16	727 936 309	35	-	0.379	44	82	188	68
50	16	727 936 310	25	-	0.507	53	93	207	70
63	16	727 936 311	15	-	0.997	65	117	248	86
75	16	727 936 312	12	-	1.506	78	134	290	110
90	16	727 936 313	5	-	2.546	93	160	322	128
110	16	727 936 314	3	-	3.497	113	181	362	148



Reducing coupling

- active sealing system (with thrust ring); d16-63 double lip gasket; d75-110 spring gasket
- installation without disassembling
- suitable for PE and PEX-a pipes
- water PN16
- material: PP
- gasket: NBR quality for drinkable water
- colour: blue-black

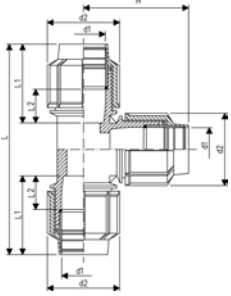
d-d [mm]	PN	Code	SP	GP	kg
20 - 16	16	727 906 334	25	175	0.073
25 - 16	16	727 906 335	25	125	0.095
25 - 20	16	727 906 337	25	125	0.110
32 - 20	16	727 906 340	25	75	0.127
32 - 25	16	727 906 341	25	75	0.166
40 - 25	16	727 906 347	50	-	0.279
40 - 32	16	727 906 346	50	-	0.291
50 - 32	16	727 906 353	25	-	0.328
50 - 40	16	727 906 352	25	-	0.468
63 - 32	16	727 906 356	20	-	0.626
63 - 40	16	727 906 357	20	-	0.582
63 - 50	16	727 906 358	15	-	0.756
75 - 50	16	727 906 363	15	-	1.008
75 - 63	16	727 906 364	12	-	1.229
90 - 63	16	727 906 371	6	-	1.799
90 - 75	16	727 906 370	6	-	2.018
110 - 90	16	727 906 376	4	-	3.011

d-d [mm]	d1 [mm]	d2 [mm]	d3 [mm]	d4 [mm]	L [mm]	L1 [mm]	L2 [mm]	L3 [mm]	L4 [mm]
20 - 16	22	46	22	46	116	56	15	56	17
25 - 16	28	54	22	46	133	63	21	56	17
25 - 20	28	54	22	46	133	63	21	56	15
32 - 20	35	64	22	46	130	65	18	56	15
32 - 25	35	64	28	54	130	65	18	59	18
40 - 25	44	82	28	54	160	94	34	63	21
40 - 32	44	82	35	64	164	94	34	66	22
50 - 32	53	93	35	64	175	103	34	69	25
50 - 40	53	93	44	82	204	103	34	97	38
63 - 32	65	115	34	64	210	118	38	80	34
63 - 40	65	117	44	82	216	117	38	87	30
63 - 50	65	117	53	93	216	117	38	96	28
75 - 50	78	134	53	93	237	129	48	100	32
75 - 63	78	134	65	117	249	129	48	116	37
90 - 63	93	160	65	117	292	169	61	107	36
90 - 75	93	160	78	134	366	188	87	175	94
110 - 90	113	181	93	160	363	188	70	168	61



90° Tee

- active sealing system (with thrust ring); d16-63 double lip gasket; d75-110 spring gasket
- installation without disassembling
- suitable for PE and PEX-a pipes
- water PN16
- material: PP
- gasket: NBR quality for drinkable water
- colour: blue-black

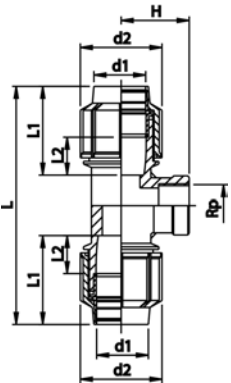


d [mm]	PN	Code	SP	GP	kg	d1 [mm]	d2 [mm]	L [mm]	L1 [mm]	L2 [mm]	H [mm]
16	16	727 206 305	25	100	0.127	22	46	138	57	13	55
20	16	727 206 306	25	100	0.121	22	46	138	55	13	55
25	16	727 206 307	25	50	0.196	28	57	153	60	18	77
32	16	727 206 308	15	30	0.297	34	67	175	66	20	87
40	16	727 206 309	20	-	0.609	44	82	238	88	27	118
50	16	727 206 310	12	-	0.821	53	93	259	96	28	128
63	16	727 206 311	6	-	1.658	65	117	317	113	35	160
75	16	727 206 312	5	-	2.400	78	134	360	129	48	180
90	16	727 206 313	2	-	4.216	93	160	472	183	82	140
110	16	727 206 314	1	-	5.588	113	181	512	193	80	260



90° Tee with threaded female offtake

- (*) with stainless steel reinforcement ring **AISI430**
- active sealing system (with thrust ring); d16-63 double lip gasket; d75-110 spring gasket
- installation without disassembling
- suitable for PE and PEX-a pipes
- water PN16
- material: PP
- gasket: NBR quality for drinkable water
- female thread: ISO 7 (parallel)
- colour: blue-black

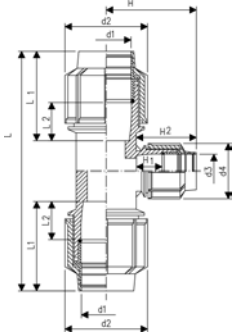


d [mm]	Rp [inch]	PN	Code	SP	GP	kg	d1 [mm]	d2 [mm]	L [mm]	L1 [mm]	L2 [mm]	H [mm]
16	½	16	727 216 329	25	125	0.094	22	46	142	57	18	48
16	¾	16	727 216 330	25	125	0.099	22	46	142	58	19	53
20	½	16	727 216 306	25	125	0.090	22	46	143	58	18	48
20	¾	16	727 216 333	25	125	0.094	22	46	143	58	18	53
25	½	16	727 216 337	25	75	0.150	28	57	153	59	17	52
25	¾	16	727 216 307	25	75	0.146	28	57	153	60	18	37
25	1	16	727 216 336	25	75	0.153	28	57	153	59	17	59
32	½	16	727 216 342	15	45	0.233	34	67	175	66	20	41
32	¾	16	727 216 341	15	45	0.223	34	67	175	66	20	41
32	1	16	727 216 308	15	45	0.229	34	67	175	66	20	43
* 32	1 ¼	16	727 216 340	15	45	0.258	34	67	175	66	20	46
40	¾	16	727 216 347	35	-	0.473	44	82	238	87	27	53
40	1	16	727 216 346	35	-	0.464	44	82	238	87	27	53
* 40	1 ¼	16	727 216 309	35	-	0.474	44	82	238	87	27	53
* 40	1 ½	16	727 216 345	35	-	0.486	44	82	238	83	24	53
* 50	1	16	727 216 353	22	-	0.612	53	93	260	97	28	63
* 50	1 ¼	16	727 216 352	22	-	0.666	53	93	260	97	28	63
* 50	1 ½	16	727 216 310	22	-	0.653	53	93	260	97	28	63
* 50	2	16	727 216 351	18	-	0.720	53	93	260	97	28	75
* 63	1 ¼	16	727 216 359	10	-	1.219	65	117	317	113	35	70
* 63	1 ½	16	727 216 358	10	-	1.207	65	117	317	113	35	70
* 63	2	16	727 216 311	10	-	1.267	65	117	317	113	35	70
* 75	2	10	158 001 730	8	-	1.828	78	134	360	129	48	75
* 75	2 ½	16	727 216 312	8	-	1.808	78	134	360	129	48	75
* 75	3	10	158 001 731	6	-	1.868	78	134	360	129	48	75
* 90	3	10	727 216 313	3	-	3.136	93	160	472	183	82	101
* 110	4	10	727 216 314	2	-	4.173	113	181	512	193	80	115



90° Reducing-increasing Tee

- active sealing system (with thrust ring); d16-63 double lip gasket; d75-110 spring gasket
- installation without disassembling
- suitable for PE and PEX-a pipes
- water PN16
- material: PP
- gasket: NBR quality for drinkable water
- colour: blue-black



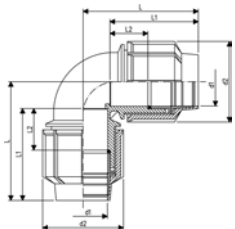
d-d-d [mm]	PN	Code	SP	GP	kg
20 - 16 - 20	16	727 206 334	25	100	0.118
20 - 25 - 20	16	727 206 335	25	75	0.140
25 - 20 - 25	16	727 206 337	25	50	0.172
25 - 32 - 25	16	727 206 338	15	30	0.220
32 - 25 - 32	16	727 206 341	15	30	0.270
40 - 32 - 40	16	727 206 346	20	-	0.530
50 - 32 - 50	16	727 206 353	15	-	0.709
50 - 40 - 50	16	727 206 352	12	-	0.776
63 - 32 - 63	16	727 206 357	8	-	1.233
63 - 50 - 63	16	727 206 358	8	-	1.369
75 - 63 - 75	16	727 206 364	5	-	2.147
90 - 75 - 90	16	727 206 366	2	-	3.919
110 - 90 - 110	16	727 206 367	1	-	5.344

d-d-d [mm]	d1 [mm]	d2 [mm]	d3 [mm]	d4 [mm]	L [mm]	L1 [mm]	L2 [mm]	H1 [mm]	H2 [mm]
20 - 16 - 20	22	46	22	46	143	58	18	18	57
20 - 25 - 20	22	46	28	54	144	58	18	17	59
25 - 20 - 25	28	54	22	46	153	58	17	18	58
25 - 32 - 25	28	54	35	64	155	59	17	19	65
32 - 25 - 32	35	64	28	54	173	64	19	21	63
40 - 32 - 40	44	82	35	64	238	87	27	21	66
50 - 32 - 50	53	93	35	64	259	96	28	21	68
50 - 40 - 50	53	93	44	82	259	96	28	38	94
63 - 32 - 63	65	117	35	64	317	113	35	19	65
63 - 50 - 63	65	117	53	93	317	113	35	28	90
75 - 63 - 75	78	134	65	117	360	129	48	35	113
90 - 75 - 90	93	160	78	134	472	183	48	63	150
110 - 90 - 110	113	181	93	160	512	193	68	82	180



90° Elbow

- active sealing system (with thrust ring); d16-63 double lip gasket; d75-110 spring gasket
- installation without disassembling
- suitable for PE and PEX-a pipes
- water PN16
- material: PP
- gasket: NBR quality for drinkable water
- colour: blue-black

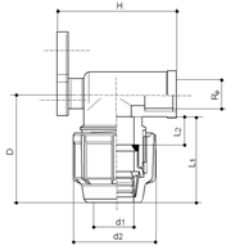


d [mm]	PN	Code	SP	GP	kg	d1 [mm]	d2 [mm]	L [mm]	L1 [mm]	L2 [mm]
16	16	727 106 305	25	150	0.084	22	46	71	58	18
20	16	727 106 306	25	150	0.078	22	46	71	58	18
25	16	727 106 307	25	100	0.125	28	57	77	60	17
32	16	727 106 308	25	50	0.192	34	67	88	67	20
40	16	727 106 309	30	-	0.410	44	82	117	86	27
50	16	727 106 310	20	-	0.551	53	93	128	97	28
63	16	727 106 311	10	-	1.108	65	117	160	114	35
75	16	727 106 312	8	-	1.633	78	134	178	129	48
90	16	727 106 313	3	-	2.915	93	160	235	163	62
110	16	727 106 314	2	-	3.879	113	181	250	168	57



Metal wall-plate elbow

- active sealing system (with thrust ring); double lip gasket;
- suitable for PE and PEX-a pipes
- water PN16
- female thread: ISO 7 (parallel)
- material: Brass
- gasket: NBR quality for drinkable water

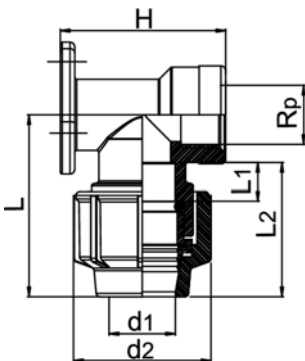


d [mm]	Rp [inch]	PN	Code	SP	GP	kg	d1 [mm]	d2 [mm]	L [mm]	L1 [mm]	L2 [mm]	H [mm]
20	½	16	720 100 206	10	60	0.237	22	46	65	53	12	55
25	¾	16	720 100 207	5	30	0.412	28	57	72	57	15	64



Plastic wall plate elbow

- active sealing system (with thrust ring); double lip gasket;
- suitable for PE and PEX-a pipes
- water PN16
- female thread: ISO 7 (parallel)
- gasket: EPDM quality for drinkable water

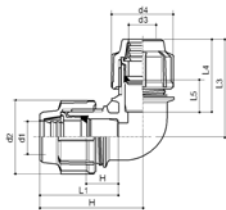


d [mm]	Rp [inch]	PN	Code	SP	GP	kg	d1 [mm]	d2 [mm]	L [mm]	L1 [mm]	L2 [mm]	H [mm]
20	½	16	158 001 919	10	250	0.053	22	45	62	16	51	52
25	¾	16	158 001 920	5	120	0.098	28	56	80	16	63	66



90° Reducing elbow

- active sealing system (with thrust ring); double lip gasket;
- installation without disassembling
- suitable for PE and PEX-a pipes
- water PN16
- material: PP
- gasket: NBR quality for drinkable water
- colour: blue-black



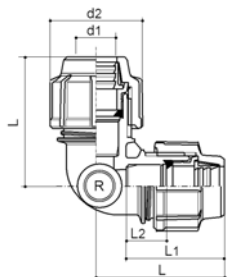
d-d [mm]	PN	Code	SP	GP	kg
20 - 16	16	158 050 442	25	150	0.081
25 - 20	16	158 050 443	25	100	0.108

d-d [mm]	PN	d1 [mm]	d2 [mm]	d3 [mm]	d4 [mm]	L [mm]	L1 [mm]	L2 [mm]	L3 [mm]	L4 [mm]	L5 [mm]
20 - 16	16	22	46	22	46	77	58	18	71	58	18
25 - 20	16	27	54	22	46	80	65	21	77	58	18



90° Elbow for sprinkler

- active sealing system (with thrust ring); double lip gasket;
- installation without disassembling
- suitable for PE and PEX-a pipes
- water PN16
- material: PP
- gasket: NBR quality for drinkable water
- female thread: ISO 7 (parallel)
- colour: blue-black

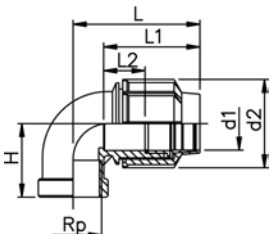


d [mm]	Rp [inch]	PN	Code	SP	GP	kg	d1 [mm]	d2 [mm]	L [mm]	L1 [mm]	L2 [mm]
16	½	16	158 001 010	25	200	0.086	22	46	71	58	18
20	½	16	158 001 011	25	150	0.082	22	46	71	58	18
25	½	16	158 001 012	25	100	0.129	27	57	77	60	17
32	½	16	158 001 013	25	50	0.197	34	67	88	67	20
32	¾	16	158 001 014	25	50	0.198	34	67	88	67	20

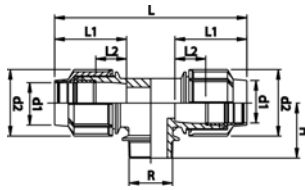


90° Elbow with threaded female offtake

- (*) with stainless steel reinforcement ring **AISI430**
- active sealing system (with thrust ring); d16-63 double lip gasket; d75-110 spring gasket
- installation without disassembling
- suitable for PE and PEX-a pipes
- water PN16
- material: PP
- gasket: NBR quality for drinkable water
- female thread: ISO 7 (parallel)
- colour: blue-black



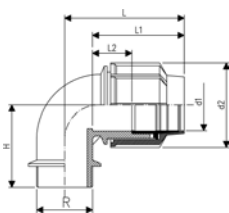
d [mm]	Rp [inch]	PN	Code	SP	GP	kg	d1 [mm]	d2 [mm]	L [mm]	L1 [mm]	L2 [mm]	H [mm]
16	½	16	727 116 329	25	200	0.061	22	46	71	58	18	50
16	¾	16	727 116 330	25	200	0.063	22	46	71	58	18	50
20	½	16	727 116 306	25	200	0.058	22	46	71	58	18	50
20	¾	16	727 116 333	25	200	0.061	22	46	71	58	18	50
25	½	16	727 116 337	25	150	0.097	28	57	76	60	18	53
25	¾	16	727 116 307	25	150	0.090	28	57	77	60	18	53
25	1	16	727 116 336	25	125	0.095	28	57	77	60	18	60
32	½	16	727 116 342	25	100	0.160	34	67	87	68	22	60
32	¾	16	727 116 341	25	100	0.152	34	67	87	68	22	60
32	1	16	727 116 308	25	100	0.139	34	67	87	68	22	60
* 32	1 ¼	16	727 116 340	25	75	0.159	34	67	87	68	22	47
40	¾	16	727 116 347	50	-	0.276	44	82	120	87	27	53
40	1	16	727 116 346	50	-	0.264	44	82	120	87	27	53
* 40	1 ¼	16	727 116 309	50	-	0.272	44	82	120	87	27	53
* 40	1 ½	16	727 116 345	50	-	0.290	44	82	120	83	23	53
* 50	1	16	727 116 318	30	-	0.347	53	93	130	97	28	62
* 50	1 ¼	16	727 116 319	30	-	0.406	53	93	130	97	28	62
* 50	1 ½	16	727 116 310	30	-	0.385	53	93	130	97	28	62
* 50	2	16	727 116 351	30	-	0.453	53	93	130	97	28	75
* 63	1 ¼	16	727 116 321	15	-	0.733	65	117	160	114	35	70
* 63	1 ½	16	727 116 320	15	-	0.718	65	117	160	114	35	70
* 63	2	16	727 116 311	15	-	0.773	65	117	160	114	35	70
* 63	2 ½	16	158 001 727	15	-	0.773	65	117	160	114	35	70
* 75	2	16	158 001 732	12	-	1.021	78	134	178	129	48	75
* 75	2 ½	16	727 116 312	12	-	1.046	78	134	178	129	48	75
* 75	3	10	158 001 733	10	-	1.077	78	134	178	129	48	75
* 90	3	10	727 116 313	6	-	1.804	93	160	235	163	62	100
* 110	4	10	727 116 314	3	-	2.435	113	181	250	168	57	116



90° Tee with threaded male offtake

- active sealing system (with thrust ring); d16-63 double lip gasket; d75-110 spring gasket
- installation without disassembling
- suitable for PE and PEX-a pipes
- water PN16
- material: PP
- gasket: NBR quality for drinkable water
- male thread: ISO 7 (conical)
- colour: blue-black

d [mm]	R [inch]	PN	Code	SP	GP	kg	d1 [mm]	d2 [mm]	L [mm]	L1 [mm]	L2 [mm]	H [mm]
16	½	16	727 226 329	25	125	0.097	22	46	142	58	19	50
16	¾	16	727 226 330	25	125	0.097	22	46	142	58	19	50
20	½	16	727 226 306	25	125	0.087	22	46	143	58	18	50
20	¾	16	727 226 333	25	125	0.093	22	46	143	58	18	50
25	½	16	727 226 337	25	75	0.144	28	54	153	58	17	52
25	¾	16	727 226 307	25	75	0.144	28	54	153	58	17	54
25	1	16	727 226 336	25	75	0.150	28	54	153	58	17	52
32	¾	16	727 226 341	15	45	0.221	34	67	175	66	20	60
32	1	16	727 226 308	15	45	0.221	34	67	175	66	20	60
40	¾	16	727 226 347	30	-	0.444	44	82	238	88	27	82
40	1 ¼	16	727 226 309	30	-	0.466	44	82	238	88	27	73
40	1 ½	16	727 226 349	30	-	0.460	44	82	238	88	27	73
50	¾	16	727 226 354	16	-	0.603	53	93	259	96	28	86
50	1 ¼	16	727 226 355	16	-	0.647	53	93	259	96	28	80
50	1 ½	16	727 226 310	16	-	0.639	53	93	259	96	28	80
63	1 ¼	16	727 226 357	8	-	1.169	65	117	317	113	35	80
63	1 ½	16	727 226 358	8	-	1.185	65	117	317	113	35	80
63	2	16	727 226 311	8	-	1.170	65	117	317	113	35	82
63	2 ½	16	727 226 359	8	-	1.195	65	117	317	113	35	85
75	2 ½	16	727 226 361	7	-	1.790	78	134	360	129	48	105
75	3	16	158 001 000	6	-	1.807	78	134	360	129	48	105
90	3	16	158 001 001	2	-	3.283	93	160	472	183	82	132
110	4	16	158 001 002	2	-	4.309	113	181	512	193	80	145

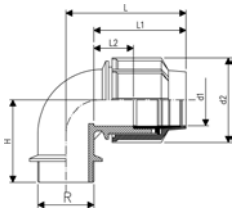


90° Elbow with threaded male offtake

- active sealing system (with thrust ring); d16-63 double lip gasket; d75-110 spring gasket
- installation without disassembling
- suitable for PE and PEX-a pipes
- water PN16
- material: PP
- gasket: NBR quality for drinkable water
- male thread: ISO 7 (conical)
- colour: blue-black

d [mm]	R [inch]	PN	Code	SP	GP	kg	d1 [mm]	d2 [mm]	L [mm]	L1 [mm]	L2 [mm]	H [mm]
16	½	16	727 126 329	25	200	0.056	22	46	71	58	18	50
16	¾	16	727 126 330	25	200	0.056	22	46	71	58	19	50
20	½	16	727 126 306	25	200	0.052	22	46	71	58	18	50
20	¾	16	727 126 333	25	200	0.053	22	46	71	58	18	50
25	½	16	727 126 337	25	150	0.086	28	57	77	63	21	53
25	¾	16	727 126 307	25	150	0.079	28	57	77	60	17	53
25	1	16	727 126 336	25	150	0.080	28	57	77	60	17	53
32	½	16	727 126 338	25	100	0.127	34	67	88	68	22	60
32	¾	16	727 126 339	25	100	0.126	34	67	88	68	22	60
32	1	16	727 126 308	25	100	0.133	34	67	88	68	22	60
40	1	16	727 126 344	50	-	0.270	44	82	115	83	23	75
40	1 ¼	16	727 126 309	50	-	0.268	44	82	117	86	27	73
40	1 ½	16	727 126 345	50	-	0.260	44	82	117	86	27	73
50	1 ¼	16	727 126 352	35	-	0.383	53	93	128	97	28	78
50	1 ½	16	727 126 310	35	-	0.379	53	93	128	97	28	80
63	1 ¼	16	727 126 313	15	-	0.653	65	117	160	114	35	82
63	1 ½	16	727 126 312	15	-	0.659	65	117	160	114	35	82

table continued next page

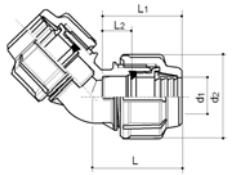


d [mm]	R [inch]	PN	Code	SP	GP	kg	d1 [mm]	d2 [mm]	L [mm]	L1 [mm]	L2 [mm]	H [mm]
63	2	16	727 126 311	15	-	0.715	65	117	160	114	35	82
63	2 ½	16	727 126 314	15	-	0.681	65	117	160	114	35	82
75	2 ½	16	727 126 316	12	-	1.041	77	134	178	129	48	110
75	3	16	727 126 317	10	-	1.051	77	134	178	129	48	110
90	3	16	727 126 515	5	-	1.050	93	160	240	170	62	132
90	4	16	158 001 692	4	-	1.864	93	160	245	165	48	135
110	3	16	158 001 710	2	-	2.323	113	181	245	175	66	142
110	4	16	158 001 003	2	-	2.606	113	185	256	180	60	140

45° Elbow



- active sealing system (with thrust ring); double lip gasket;
- installation without disassembling
- suitable for PE and PEX-a pipes
- water PN16
- material: PP
- gasket: NBR quality for drinkable water
- colour: blue-black

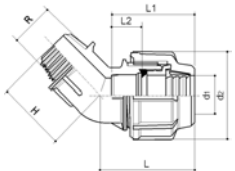


d [mm]	PN	Code	SP	GP	kg	d1 [mm]	d2 [mm]	L [mm]	L1 [mm]	L2 [mm]
20	16	727 156 306	25	150	0.083	22	46	65	56	14
25	16	727 156 307	25	100	0.132	28	57	74	60	17
32	16	727 156 308	25	50	0.200	34	67	82	67	19
40	16	727 156 309	30	-	0.407	44	82	108	86	27
50	16	727 156 310	20	-	0.547	53	93	128	99	30
63	16	727 156 311	10	-	1.087	65	118	150	115	35

45° Elbow with threaded male offtake



- active sealing system (with thrust ring); double lip gasket;
- installation without disassembling
- suitable for PE and PEX-a pipes
- water PN16
- material: PP
- gasket: NBR quality for drinkable water
- male thread: ISO 7 (conical)
- colour: blue-black

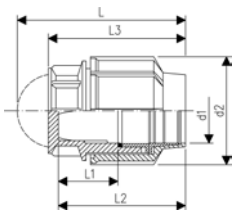


d [mm]	R [inch]	PN	Code	SP	GP	kg	d1 [mm]	d2 [mm]	L [mm]	L1 [mm]	L2 [mm]	H [mm]
20	½	16	727 166 306	25	200	0.050	22	46	65	56	14	41
25	¾	16	727 166 307	25	150	0.079	28	57	73	60	17	44
32	1	16	727 166 308	25	75	0.122	34	67	83	66	19	48
40	1 ¼	16	727 166 309	50	-	0.241	44	82	108	86	27	65
50	1 ½	16	727 166 310	35	-	0.326	53	93	128	99	30	69
63	2	16	727 166 311	20	-	0.651	65	118	150	115	30	85

End cap

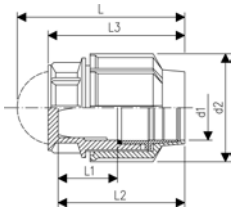


- active sealing system (with thrust ring); d16-63 double lip gasket; d75-110 spring gasket
- installation without disassembling
- suitable for PE and PEX-a pipes
- water PN16
- material: PP
- gasket: NBR quality for drinkable water
- colour: blue-black



d [mm]	PN	Code	SP	GP	kg	d1 [mm]	d2 [mm]	L [mm]	L1 [mm]	L2 [mm]	L3 [mm]
16	16	727 966 305	25	350	0.044	22	46	60	20	60	62
20	16	727 966 306	25	350	0.041	22	46	69	18	58	62
25	16	727 966 307	25	200	0.066	28	57	76	18	63	65
32	16	727 966 308	25	125	0.103	34	67	90	18	70	69
40	16	727 966 309	60	-	0.211	44	82	112	28	87	93
50	16	727 966 310	40	-	0.289	54	93	129	30	99	105

table continued next page

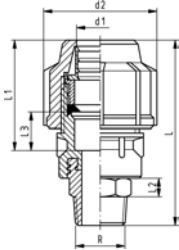


d [mm]	PN	Code	SP	GP	kg	d1 [mm]	d2 [mm]	L [mm]	L1 [mm]	L2 [mm]	L3 [mm]
63	16	727 966 311	20	-	0.580	65	117	160	42	122	132
75	16	727 966 312	18	-	0.838	78	134	180	56	139	147
90	16	727 966 313	8	-	1.429	93	160	220	68	173	181
110	16	727 966 314	6	-	1.911	114	182	234	70	184	195

Male adaptor with threaded metal offtake (nickel brass)



- (*) without hexagon
- active sealing system (with thrust ring); double lip gasket;
- installation without disassembling
- suitable for PE and PEX-a pipes
- water PN16
- material: PP
- gasket: NBR quality for drinkable water
- male thread: ISO 7 (cilindric); Nickel brass
- colour: blue-black

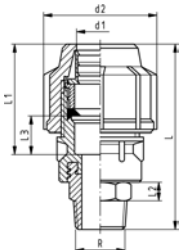


d [mm]	R [inch]	PN	Code	SP	GP	kg	L [mm]	L1 [mm]	d2 [mm]	L2 [mm]	d1 [mm]	L3 [mm]
* 20	½	16	158 001 569	25	-	0.121	94	56	46		22	15
25	¾	16	158 001 570	15	-	0.207	115	62	57	15	28	19
32	¾	16	158 001 571	12	-	0.238	120	67	67	15	34	20
32	1	16	158 001 572	12	-	0.335	120	67	67	15	34	20
32	1 ¼	16	158 001 573	12	-	0.531	120	67	67	15	34	20
40	1	16	158 001 574	4	-	0.434	146	88	82	15	43	30
40	1 ¼	16	158 001 575	4	-	0.615	146	88	82	15	43	30
50	1 ½	16	158 001 576	3	-	0.735	162	99	93	15	53	30
63	2	16	158 001 577	2	-	1.188	190	118	118	18	65	42

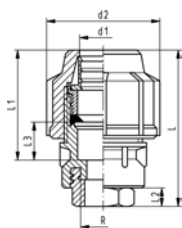
Male adaptor with threaded metal offtake (bronze)



- (*) without hexagon
- active sealing system (with thrust ring); double lip gasket;
- installation without disassembling
- suitable for PE and PEX-a pipes
- water PN16
- material: PP
- gasket: NBR quality for drinkable water
- male thread: ISO 7 (cilindric); Bronze
- colour: blue-black



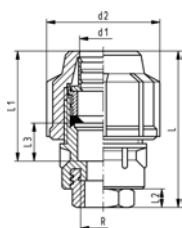
d [mm]	R [inch]	PN	Code	SP	GP	kg	L [mm]	L1 [mm]	d2 [mm]	L2 [mm]	d1 [mm]	L3 [mm]
* 20	½	16	727 926 506	25	-	0.125	94	56	46		22	15
25	¾	16	727 926 507	15	-	0.210	115	62	57	15	28	19
32	¾	16	727 926 508	12	-	0.241	120	67	67	15	34	20
32	1	16	727 926 509	12	-	0.356	120	67	67	15	34	20
32	1 ¼	16	727 926 510	12	-	0.549	120	67	67	15	34	20
32	1 ½	16	158 001 015	10	-	0.561	132	69	67	15	34	20
40	1	16	727 926 511	4	-	0.455	146	88	82	15	43	30
40	1 ¼	16	727 926 512	4	-	0.633	146	88	82	15	43	30
40	1 ½	16	727 926 516	4	-	0.689	150	88	82	15	43	30
40	2	16	727 926 517	3	-	0.906	160	88	82	18	43	30
50	1 ¼	16	727 926 513	3	-	0.684	161	99	93	15	53	28
50	1 ½	16	727 926 514	3	-	0.749	162	99	93	15	53	30
63	1 ½	16	158 001 016	2	-	0.975	185	124	118	15	65	42
63	2	16	727 926 515	2	-	1.217	190	118	118	18	65	42



Female adaptor with metal offtake (nickel brass)

- (*) without hexagon
- active sealing system (with thrust ring); double lip gasket;
- installation without disassembling
- suitable for PE and PEX-a pipes
- water PN16
- material: PP
- gasket: NBR quality for drinkable water
- female thread: ISO 7 (parallel); Nickel brass
- colour: blue-black

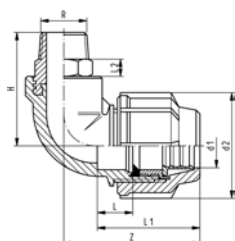
d [mm]	Rp [inch]	PN	Code	SP	GP	kg	L [mm]	L1 [mm]	d2 [mm]	L2 [mm]	d1 [mm]	L3 [mm]
20	½	16	158 001 578	25	-	0.101	80	57	46	0	22	15
25	¾	16	158 001 579	15	-	0.170	100	61	57	15	28	18
32	1	16	158 001 580	12	-	0.289	105	67	67	15	34	20
40	1 ¼	16	158 001 581	4	-	0.516	130	88	82	15	43	29
50	1 ½	16	158 001 582	3	-	0.628	140	98	93	15	53	30
63	2	16	158 001 583	2	-	1.039	165	118	118	20	65	42



Female adaptor with metal offtake (bronze)

- (*) without hexagon
- active sealing system (with thrust ring); double lip gasket;
- installation without disassembling
- suitable for PE and PEX-a pipes
- water PN16
- material: PP
- gasket: NBR quality for drinkable water
- female thread: ISO 7 (parallel); Bronze
- colour: blue-black

d [mm]	Rp [inch]	PN	Code	SP	GP	kg	L [mm]	L1 [mm]	d2 [mm]	L2 [mm]	d1 [mm]	L3 [mm]
* 20	½	16	727 916 506	25	-	0.105	80	57	46		22	15
25	¾	16	727 916 507	15	-	0.170	100	61	57	15	28	18
32	1	16	727 916 509	12	-	0.298	105	67	67	15	34	20
40	1 ¼	16	727 916 512	4	-	0.528	130	88	82	15	43	29
50	1 ½	16	727 916 513	3	-	0.647	140	98	93	15	53	30
63	2	16	727 916 514	2	-	1.036	165	118	118	20	65	42



90° Male elbow with threaded metal offtake (nickel brass)

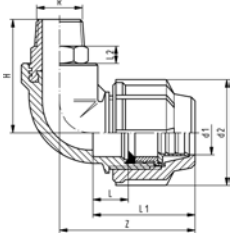
- (*) without hexagon
- active sealing system (with thrust ring); double lip gasket;
- installation without disassembling
- suitable for PE and PEX-a pipes
- water PN16
- material: PP
- gasket: NBR quality for drinkable water
- male thread: ISO 7 (cilindric); Nickel brass
- colour: blue-black

d [mm]	R [inch]	PN	Code	SP	GP	kg	L1 [mm]	d2 [mm]	L2 [mm]	d1 [mm]	z [mm]	H [mm]	L [mm]
* 20	½	16	158 001 584	25	-	0.126	55	46		22	65	45	15
25	¾	16	158 001 585	13	-	0.218	60	57	15	28	75	60	18
32	¾	16	158 001 586	8	-	0.255	70	67	15	34	92	70	23
32	1	16	158 001 587	8	-	0.358	70	67	15	34	100	70	25
40	1	16	158 001 588	4	-	0.457	86	82	15	43	123	71	28
40	1 ¼	16	158 001 589	4	-	0.650	86	82	15	43	123	80	28



90° Male elbow with threaded metal offtake (bronze)

- (*) without hexagon
- active sealing system (with thrust ring); double lip gasket;
- installation without disassembling
- suitable for PE and PEX-a pipes
- water PN16
- material: PP
- gasket: NBR quality for drinkable water
- male thread: ISO 7 (cilindric); Bronze
- colour: blue-black



d [mm]	R [inch]	PN	Code	SP	GP	kg	L1 [mm]	d2 [mm]	L2 [mm]	d1 [mm]	z [mm]	H [mm]	L [mm]
* 20	1/2	16	727 126 506	25	-	0.132	55	46		22	65	45	15
25	3/4	16	727 126 507	13	-	0.221	60	57	15	28	75	60	18
32	3/4	16	727 126 508	8	-	0.258	70	67	15	34	92	70	23
32	1	16	727 126 509	8	-	0.379	70	67	15	34	100	70	25
32	1 1/2	16	158 001 017	6	-	0.607	68	67	15	34	90	85	23
40	1	16	727 126 511	4	-	0.478	86	82	15	43	123	71	28
40	1 1/4	16	727 126 512	4	-	0.668	86	82	15	43	123	80	28
40	1 1/2	16	727 126 510	4	-	0.734	86	82	15	43	123	71	28
40	2	16	727 126 514	3	-	0.942	86	82	18	43	123	95	28
50	1 1/4	16	727 126 513	3	-	0.732	99	93	15	53	130	82	27
63	1 1/2	16	158 001 018	2	-	1.062	122	118	15	65	163	97	40

Metal tightening wrench for iJOINT fittings



d-d [mm]	Code	SP	GP	kg	L [mm]	L1 [mm]
20 - 75	158 500 998	2	-	0.626	540	115
63 - 110	158 500 999	2	-	1.642	659	162

POLY16 PLUS KITS & ACCESSORIES

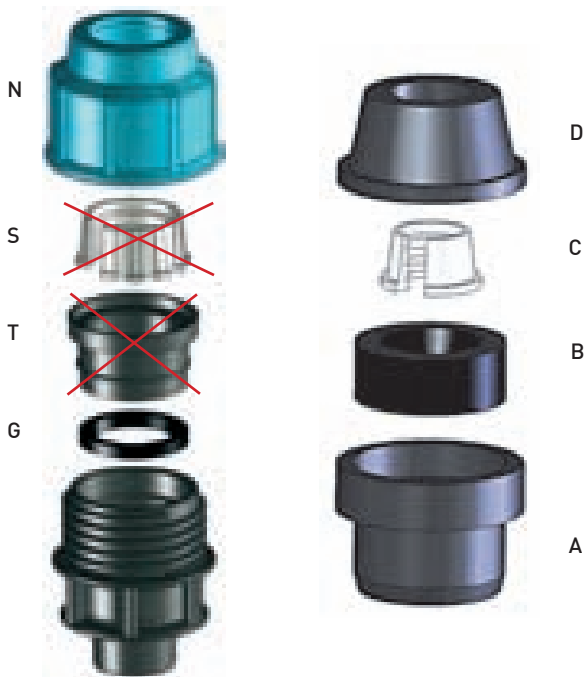


Reducing set

- suitable for PE and PEX-a pipes
- maximum operating pressure PN 16
- material: PP
- gasket: NBR quality for drinkable water
- non-compliance with POLY16 Plus repairing coupling
- (*) Kit type 2 with pipe stop

d-d [mm]	PN	Code	SP	GP	kg
* 25 - 20	16	727 826 430	1	10	0.021
* 32 - 20	16	727 826 431	1	10	0.040
* 32 - 25	16	727 826 432	1	10	0.032
40 - 20	16	727 826 433	1	8	0.070
40 - 25	16	727 826 434	1	8	0.075
* 40 - 32	16	727 826 435	1	8	0.065
50 - 25	16	727 826 436	1	6	0.101
50 - 32	16	727 826 437	1	6	0.112
* 50 - 40	16	727 826 438	1	6	0.104
63 - 25	16	727 826 439	1	5	0.178
63 - 32	16	727 826 440	1	5	0.195
63 - 40	16	727 826 441	1	5	0.195
* 63 - 50	16	727 826 442	1	5	0.192

Poly16 Plus Reduction Kit Type 1 Assembly instructions

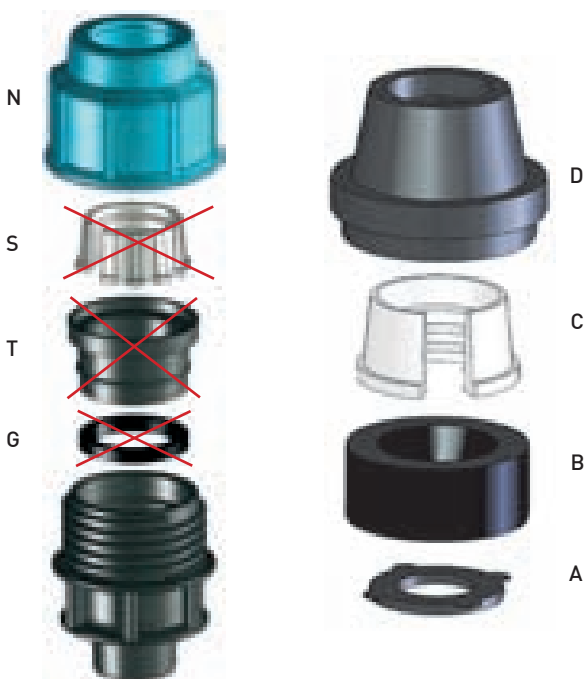


Starting from a POLY16 Plus fitting ISO/DIN standard

1. Remove the nut (N) from the body.
2. Remove the components S and T leaving the gasket G.
3. Insert component A until you reach the pipe stop.
4. Insert component B.
5. Lubricate component B.
6. Insert component C.
7. Insert component D.
8. Put the nut (N) back on the body, loose.
9. Installation according to the Poly16 Plus instructions manual.

Suitable for the whole Poly16 Plus range, repairing coupling except

Poly16 Plus Reduction Kit Type 2 Assembly instructions



Starting from a POLY16 Plus fitting ISO/DIN standard

1. Remove the nut (N) from the body.
2. Remove all internal components (S, T and G).
3. Insert component A .
4. Insert component B.
5. Lubricate component B.
6. Insert component C.
7. Insert component D.
8. Put the nut (N) back on the body, loose.
9. Installation according to the Poly16 Plus instructions manual

Suitable for the whole Poly16 Plus range, repairing coupling except



Grip ring in stainless steel for PVC-U and ABS pipes

- with PVC-U pipe: maximum operating pressure PN16
- with ABS pipe: maximum operating pressure PN10
- material: stainless steel AISI304
- non-compliance with POLY16 Plus repairing coupling

d [mm]	Code	SP	GP	kg
20	727 826 415	1	25	0.001
25	727 826 416	1	25	0.003
32	727 826 417	1	25	0.004
40	727 826 418	1	25	0.006
50	727 826 419	1	25	0.010
63	727 826 420	1	25	0.025

Poly16 Plus Grip Ring in stainless steel for PVC-U and ABS pipes Assembly instructions

Non-compliance with repairing coupling



Starting from a POLY16 Plus fitting ISO/DIN standard

1. Remove the nut (N).
2. Insert the stainless steel ring (R) between thrust ring (T) and split ring (S).
Note: The metal teeth have to be down oriented.
3. Put the nut (N) back on the body.
4. Verify with a finger if the ring is in central position.
5. Insert the pipe to the final pipe stop.
6. Mechanically tighten the nut (N).



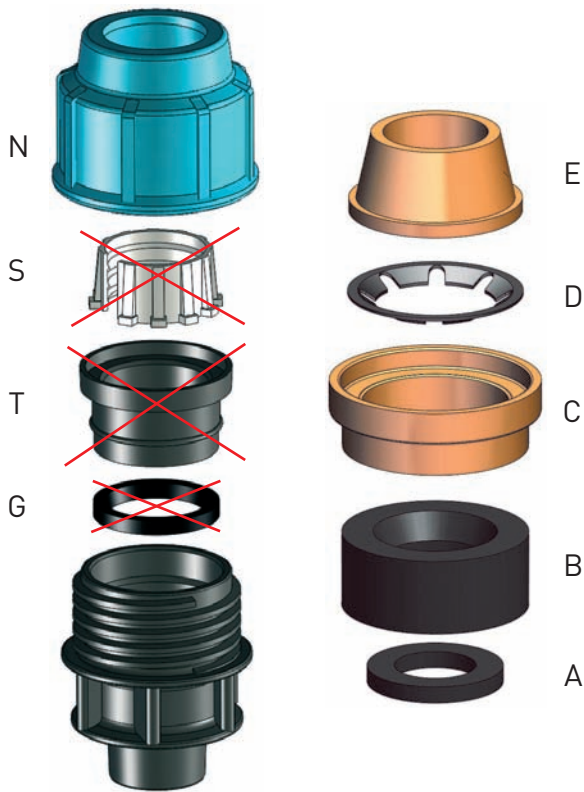
Kit for copper pipe DIN BS EN 1057 pull out resistance

- maximum operating pressure PN 16
- gasket: NBR; grip ring in stainless steel (AISI304); PP
- non-compliance with POLY16 Plus repairing coupling

d fitting [mm]	d copper pipe [mm]	PN	Code	SP	GP	kg
20	15	16	727 826 400	1	15	0.016
25	22	16	727 826 401	1	15	0.023
32	28	16	727 826 402	1	12	0.028

Poly16 Plus Kit for Copper Pipes Assembly instructions

Non-compliance with repairing coupling



Starting from a POLY16 Plus fitting ISO/DIN standard

1. Remove the nut (N).
2. Remove all internal components (S, T and G).
3. Insert component A.
4. Insert component B.
5. Lubricate component B.
6. Insert component C.
7. Insert component D.
Note: The metal teeth have to be down oriented.
8. Insert component E.
9. Put the nut (N) back on the body, loose.
10. Insert the pipe to the final pipe stop.
11. Mechanically tighten the nut (N).



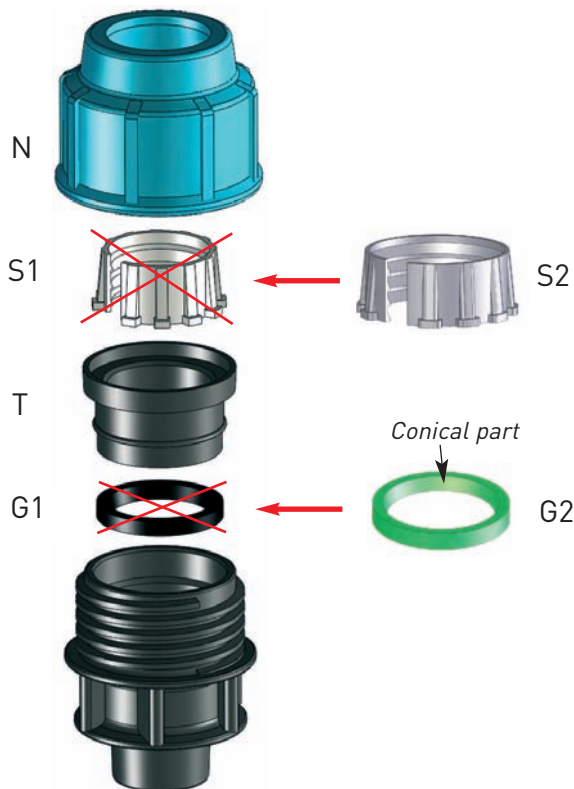
Kit consisting of PVC-C Split ring and FPM gasket

- suitable for PE and PEX-a pipes
- maximum operating pressure PN 16
- (*) with thrust ring
- non-compliance with POLY16 Plus repairing coupling

d [mm]	PN	Code	SP	GP	kg
20	16	727 826 506	1	25	0.004
25	16	727 826 507	1	25	0.006
32	16	727 826 508	1	25	0.010
40	16	727 826 509	1	25	0.022
50	16	727 826 510	1	25	0.029
63	16	727 826 511	1	25	0.072
* 75	10	727 826 512	1	10	0.088
* 90	10	727 826 513	1	6	0.134
* 110	10	727 826 514	1	4	0.194

Poly16 Plus Kit PVC-C/FPM (Viton) Assembly instructions

Non-compliance with repairing coupling



Starting from a POLY16 Plus fitting

1. Remove the nut (N), the split ring (S1), the thrust ring (T) and the gasket (G1), maintaining the correct assembly order
2. Substitute the standard white split ring (S1) and the standard black gasket (G1) with the corresponding kit components: PVC-C split ring (S2) and FPM/Viton gasket (G2)

Reassemble the components as follows:

3. Insert the green gasket (G2) into the fitting body so that the conical part is visible (see figure)
4. Lubricate the conical part of the gasket
5. Re-insert the thrust ring (T) ensuring that the wider part is uppermost, (for diameters up to 50 ensure that it fits into place correctly)
6. Insert the grey split ring (S2), ensuring that the wider part lays on the thrust ring (T)
7. Put the nut (N) back on the body, loose.
8. Insert the pipe to the final pipe stop.
9. Mechanically tighten the nut (N).



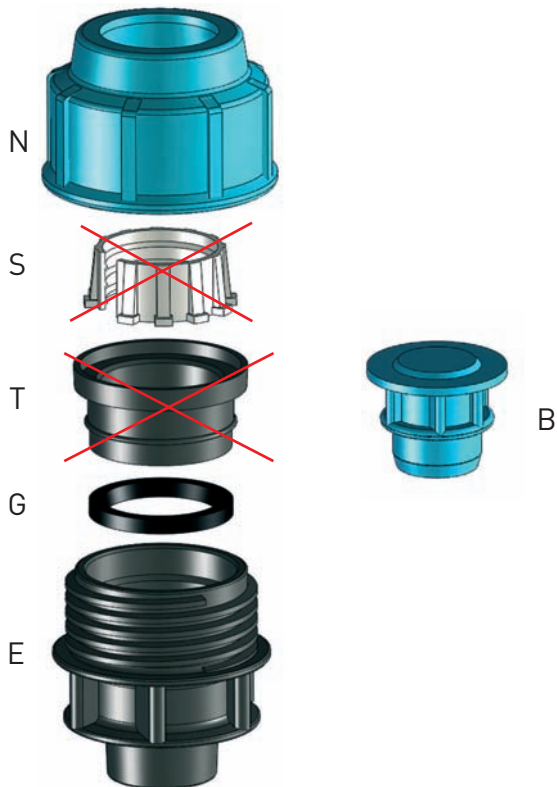
Blanking plug

- maximum operating pressure PN 16
- material: PP

d [mm]	PN	Code	SP	GP	kg
20	16	158 050 437	10	300	0.007
25	16	158 050 438	10	250	0.009
32	16	158 050 439	10	180	0.015
40	16	158 050 440	10	80	0.036
50	16	158 050 441	10	60	0.054

Poly16 Plus Blanking Plug Assembly instructions

Non-compliance with repairing coupling



Starting from a Poly 16 Plus fitting ISO/DIN standard

1. Unscrew the nut (N)
2. Remove the components (S + T), leaving the gasket (G) inside the body (E).
3. Fit in the blanking plug (B).
4. Mechanically tighten the nut (N).

POLY16 Plus SPARE PARTS

Split ring



d [mm]	Code	SP	GP	kg
16	727 826 405	600	-	0.003
20	727 826 406	500	-	0.003
25	727 826 407	300	-	0.004
32	727 826 408	200	-	0.006
40	727 826 409	104	-	0.014
50	727 826 410	60	-	0.018
63	727 826 411	21	-	0.044
75	727 826 421	24	-	0.078
90	727 826 422	10	-	0.078
110	727 826 423	10	-	0.098

Gasket



d [mm]	Code	SP	GP	kg
16	745 416 405	1400	-	0.001
20	745 416 406	1300	-	0.001
25	745 416 407	1000	-	0.002
32	745 416 408	350	-	0.004
40	745 416 409	200	-	0.008
50	745 416 410	125	-	0.011
63	745 416 411	70	-	0.019
75	745 416 400	45	-	0.020
90	745 416 401	20	-	0.020
110	745 416 402	15	-	0.040

Repairing coupling gasket



d [mm]	Code	SP	GP	kg
20	158 001 004	1500	-	0.001
25	158 001 005	1000	-	0.001
32	158 001 006	600	-	0.002
40	158 001 007	150	-	0.007
50	158 001 008	100	-	0.010
63	158 001 009	50	-	0.015

Thrust ring



d [mm]	Code	SP	GP	kg
16	727 816 405	300	-	0.003
20	727 816 406	250	-	0.004
25	727 816 407	180	-	0.006
32	727 816 408	120	-	0.008
40	727 816 409	200	-	0.018
50	727 816 410	130	-	0.026
63	727 816 411	48	-	0.041
75	727 816 400	18	-	0.080
90	727 816 401	11	-	0.126
110	727 816 402	7	-	0.175

Nut



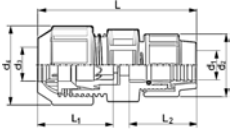
d [mm]	Code	SP	GP	kg
16 - 20	727 696 406	96	-	0.018
25	727 696 407	45	-	0.029
32	727 696 408	36	-	0.046
40	727 696 409	12	-	0.089

table continued next page

d [mm]	Code	SP	GP	kg	
50	727 696 410	9	-	0.111	
63	727 696 411	8	-	0.228	
75	727 696 412	36	-	0.363	
90	727 696 413	16	-	0.614	
110	727 696 414	9	-	0.840	

POLY16 Plus Universal Fittings

Coupling

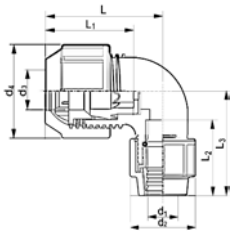


- black offtake: suitable for Metric and Imperial PE, PEX, PVC, ABS, galvanized, lead, copper pipes
- blue offtake: suitable for PE pipe
- water PN10
- material: PP
- gasket: EPDM quality for drinkable water
- non-compliance with POLY16 Plus kits(except Universal kit)
- colour: blue-black

PE outlet [mm]	Universal outlet [mm]	PN	Code	SP	GP	kg
20	15 - 21	10	158 001 713	1	140	0.119
20	21 - 27	10	158 001 714	1	100	0.164
20	27 - 35	10	158 001 715	1	70	0.269
25	15 - 21	10	158 001 716	1	100	0.145
25	21 - 27	10	158 001 717	1	90	0.189
25	27 - 35	10	158 001 718	1	60	0.239
32	21 - 27	10	158 001 719	1	70	0.206
32	27 - 35	10	158 001 720	1	50	0.312

PE outlet [mm]	Universal outlet [mm]	PN	d1 [mm]	d2 [mm]	d3 [mm]	d4 [mm]	L [mm]	L1 [mm]	L2 [mm]
20	15 - 21	10	20	47	15 - 21	55	119	55	55
20	21 - 27	10	20	47	21 - 27	65	127	70	55
20	27 - 35	10	20	47	27 - 35	80	151	88	55
25	15 - 21	10	25	57	15 - 21	55	128	55	55
25	21 - 27	10	25	57	21 - 27	65	136	70	55
25	27 - 35	10	25	57	27 - 35	80	162	88	55
32	21 - 27	10	32	66	21 - 27	65	159	70	75
32	27 - 35	10	32	66	27 - 35	80	174	88	75

90° Elbow



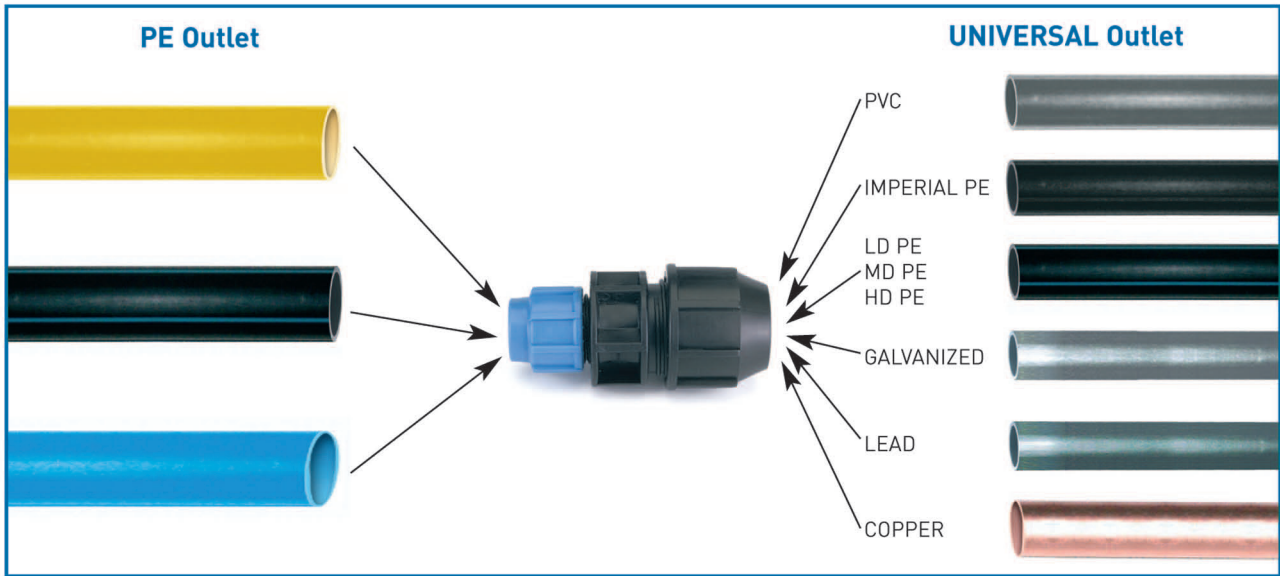
- black offtake: suitable for Metric and Imperial PE, PEX, PVC, ABS, galvanized, lead, copper pipes
- blue offtake: suitable for PE pipe
- water PN10
- material: PP
- gasket: EPDM quality for drinkable water
- non-compliance with POLY16 Plus kits(except Universal kit)
- colour: blue-black

PE outlet [mm]	Universal outlet [mm]	PN	Code	SP	GP	kg
25	15 - 21	10	158 001 721	1	100	0.146
25	21 - 27	10	158 001 722	1	90	0.201

PE outlet [mm]	Universal outlet [mm]	PN	d1 [mm]	d2 [mm]	d3 [mm]	d4 [mm]	L [mm]	L1 [mm]	L2 [mm]	L3 [mm]
25	15 - 21	10	25	57	15 - 21	55	69	55	65	74
25	21 - 27	10	25	57	21 - 27	65	76	70	70	74

Poly16 Plus Universal Fittings

Technical features & Assembly Instructions



1. Cut the pipe at a 90-degree angle (square cut). When possible, it is recommended to bevel the edges of the cut in order to make the insertion easier. Attention! Non-compliance with Poly16 Plus Kits.



2. Slacken the ring nut without removing from the body. In case the internal components are disassembled (for example due to its transport), please follow the assembly instructions for the components which can be found in the Universal Kit set.



3. Insert the pipe end without tightening the nut. Push the fitting until the pipe reaches the stop.



4. Hand tighten the nut and then tighten further with a proper tool. Do not screw the Universal nut without pipe.

In order to disassemble the Universal nut, follow the Kit assembly instructions in reverse order, keeping in mind that the Universal split ring may require a manual opening of the ends to unmail the steel grippers from the pipe.

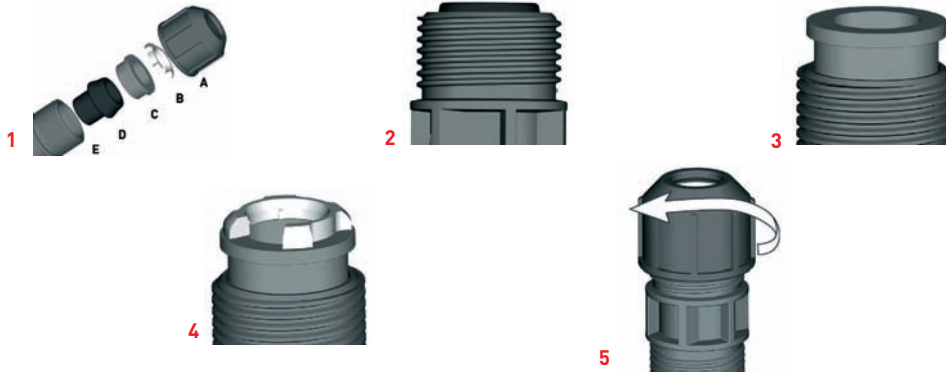


Universal Kit (in compliance with Universal fitting only)

- non-compliance with POLY16 fittings
- water PN10
- material: PP
- gasket: EPDM quality for drinkable water
- (*)Spare part

PE outlet [mm]	Universal outlet [mm]	PN	Code	SP	GP	kg
25	15 - 21	10	158 001 723	1	200	0.056
32	21 - 27	10	158 001 724	1	150	0.081
*	27 - 35	10	158 001 725	1	80	0.138

Universal Kit Assembly instructions



Kit, adaptable only for the universal fitting, allows to transform any metric offtake into an Universal one. The steps involved in the assembly of the components are:

1. Disassemble all the components of the PE metric offtake to transform: nut, split ring, thrust ring and O'ring. Prepare the components of the Universal kit (A, B, C, D).
2. Insert the Universal sealing ring (D) in the body (E), as in the enclosed picture, until the upper edge becomes virtually aligned with the edge of the body. Due to the existing friction between the body and the sealing ring, specially in the bigger sizes, sealing ring insertion may require an additional effort.
3. Place the Universal insert (C) so that it is positioned above the sealing ring and with the flat surface upwards (see enclosed picture).
4. Place the Universal split ring (B) above the insert (C), so that the steel grippers lean on the flat surface of the insert (see enclosed picture).
5. Place the Universal nut (A) and tighten clockwise by just one screw thread, leaving it prepared for pipe insertion. Do not screw the Universal nut without pipe.

In order to disassemble the Universal nut, follow the Kit assembly instructions in reverse order, keeping in mind that the Universal split ring may require a manual opening of the ends to unmail the steel grippers from the pipe.

POLY16 Plus Clamp Saddles

Technical Specifications

A complete range of clamp saddles up to d 315 mm for water market. The blue saddle with flat gasket in NBR allowing to overcome: ovalized/scratched-undersized pipes. The flat gasket guarantees a perfect adherence to the pipe, increasing the contact surface. The flat gasket also grants high resistance in case of vacuum and/or suction.



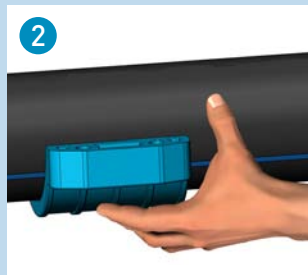
Pressure range	MOP of 16 bar from 20 mm up to 160 mm (MOP of 10 bar up to 315 mm see single item table)
Temperature range	-10 °C to +45 °C
Materials	Body UV stabilized polypropylene (PP) Gasket Food-safe NBR rubber suitable for potable water. Reinforcement ring Stainless steel AISI 430 Bolts and nuts Galvanized or stainless steel
Standards	For PE pipes: DIN EN 12201; ISO 11922-1; DIN 8074; EN 12201-1/2; AS/NZS 4130; BS 6572; BS 6730; ISO 4427; UNI 7990; ISO 12162 For PVC pipes: UNI EN 1452-1/2 Threads DIN EN 10226 (ISO 7-1); BS 21; AS 1722.1
Test standards	AS/NZS 4129 ISO 13460

POLY16 Plus Clamp Saddles

Assembly Instructions



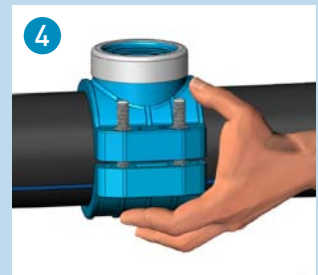
Check all components. Clean the pipe.



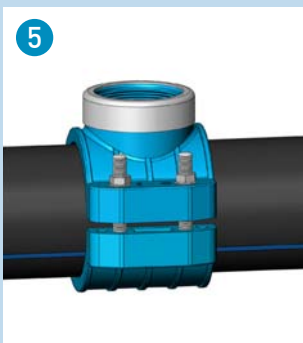
Place the bolts in the lower part of the saddle and put it under the pipe.



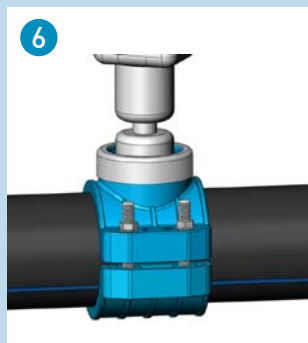
The gasket properly into its seat



Line up the threaded part with the lower part.



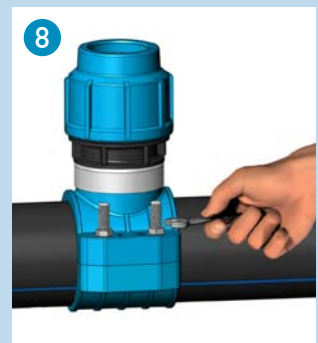
Insert washers and nuts without tightening in depth until the first saddle blocking (*).



Drill the pipe in correspondence with the offtake (**).



Assemble a male adaptor on the offtake (use teflon tape).



Complete the screwing of the bolts until the two parts of the saddle touch each other.

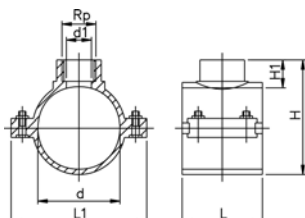
Please note:

[*] In order to make the assembling of male adaptor threaded part easier, avoid too much overscrewing the bolts of the clamp saddle.

[**] Caution, do not tighten the nuts before the installation of the fitting.

POLY16 Plus CLAMP SADDLES

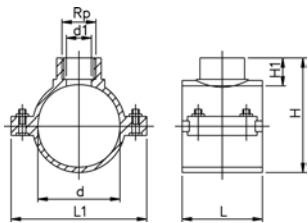
654X - Blue clamp saddles with stainless steel reinforcement ring, flat gasket and stainless steel bolts and nuts (PN16-PN10)



- water PN16-10
- suitable for PE and PVC pipes
- material: PP
- female thread: ISO 7 (parallel)
- gasket: O-ring with flat lip (NBR)
- reinforcement ring: stainless steel AISI430
- bolts and nuts : stainless steel
- colour: blue
- B= N° of bolts
- M= bolt type
- (*) with O-ring gasket

d [mm]	Rp [inch]	PN	B	M	Code	SP	GP	kg
* 20	½	16	2	M8X40	727 627 001	1	180	0.121
* 25	½	16	2	M8X30	727 627 011	1	150	0.110
* 25	¾	16	2	M8X30	727 627 012	1	150	0.123
* 32	½	16	2	M8X30	727 627 021	1	150	0.103
* 32	¾	16	2	M8X30	727 627 022	1	150	0.115
* 32	1	16	2	M8X40	727 627 023	1	100	0.164
40	½	16	2	M8X40	727 627 031	1	100	0.137
40	¾	16	2	M8X40	727 627 032	1	100	0.148
40	1	16	2	M8X40	727 627 033	1	100	0.155
50	½	16	4	M8X40	727 627 041	1	100	0.200
50	¾	16	4	M8X40	727 627 042	1	100	0.213
50	1	16	4	M8X40	727 627 043	1	100	0.221
50	1 ¼	16	4	M8X40	727 627 044	1	100	0.225
63	½	16	4	M8X40	727 627 051	1	70	0.216
63	¾	16	4	M8X40	727 627 052	1	70	0.215
63	1	16	4	M8X40	727 627 053	1	70	0.226
63	1 ¼	16	4	M8X40	727 627 054	1	60	0.272
63	1 ½	16	4	M8X40	727 627 055	1	60	0.279
75	½	16	4	M8X60	727 627 061	1	40	0.364
75	¾	16	4	M8X60	727 627 062	1	40	0.362
75	1	16	4	M8X60	727 627 063	1	40	0.384
75	1 ¼	16	4	M8X60	727 627 064	1	40	0.421
75	1 ½	16	4	M8X60	727 627 065	1	40	0.428
75	2	16	4	M8X60	727 627 066	1	40	0.437
90	½	16	4	M8X60	727 627 071	1	34	0.412
90	¾	16	4	M8X60	727 627 072	1	34	0.421
90	1	16	4	M8X60	727 627 073	1	34	0.432
90	1 ¼	16	4	M8X60	727 627 074	1	34	0.472
90	1 ½	16	4	M8X60	727 627 075	1	30	0.474
90	2	16	4	M8X60	727 627 076	1	30	0.481
110	½	16	6	M8X50	727 627 081	1	20	0.511
110	¾	16	6	M8X50	727 627 082	1	20	0.523
110	1	16	6	M8X50	727 627 083	1	20	0.510
110	1 ¼	16	6	M8X50	727 627 084	1	20	0.565
110	1 ½	16	6	M8X50	727 627 085	1	20	0.566
110	2	16	6	M8X50	727 627 086	1	20	0.570
110	3	6	6	M8X70	727 627 087	12	-	1.108
125	½	16	6	M8X50	727 627 091	1	20	0.578
125	¾	16	6	M8X50	727 627 092	1	20	0.590
125	1	16	6	M8X50	727 627 093	1	20	0.592
125	1 ¼	16	6	M8X50	727 627 094	1	20	0.629
125	1 ½	16	6	M8X50	727 627 095	1	20	0.627
125	2	16	6	M8X50	727 627 096	1	20	0.640
125	3	6	6	M8X70	727 627 097	12	-	1.009
125	4	6	6	M8X70	727 627 098	12	-	1.051
140	½	16	6	M8X70	727 627 101	20	-	0.830
140	¾	16	6	M8X70	727 627 102	20	-	0.843
140	1	16	6	M8X70	727 627 103	20	-	0.849

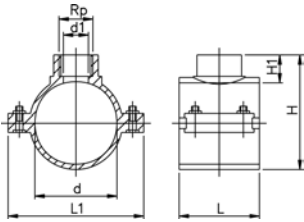
table continued next page



d [mm]	Rp [inch]	PN	B	M	Code	SP	GP	kg
140	1 ¼	16	6	M8X70	727 627 104	20	-	0.880
140	1 ½	16	6	M8X70	727 627 105	20	-	0.892
140	2	16	6	M8X70	727 627 106	20	-	0.898
140	3	10	6	M8X70	727 627 107	10	-	1.132
140	4	10	6	M8X70	727 627 108	10	-	1.196
160	½	16	6	M8X70	727 627 111	20	-	0.899
160	¾	16	6	M8X70	727 627 112	20	-	0.908
160	1	16	6	M8X70	727 627 113	20	-	0.917
160	1 ¼	16	6	M8X70	727 627 114	20	-	0.950
160	1 ½	16	6	M8X70	727 627 115	20	-	0.954
160	2	16	6	M8X70	727 627 116	20	-	0.956
160	3	10	6	M8X70	727 627 117	10	-	1.185
160	4	10	6	M8X70	727 627 118	10	-	1.262
* 180	1	10	6	M10x80	727 627 123	7	-	1.980
* 180	1 ¼	10	6	M10x80	727 627 124	7	-	2.013
* 180	1 ½	10	6	M10x80	727 627 125	7	-	2.007
* 180	2	10	6	M10x80	727 627 126	7	-	2.018
* 180	3	10	6	M10x80	727 627 127	7	-	2.043
* 180	4	10	6	M10x80	727 627 128	7	-	2.092
* 200	1 ½	10	6	M10x80	727 627 135	8	-	1.966
* 200	2	10	6	M10x80	727 627 136	7	-	1.946
* 200	3	10	6	M10x80	727 627 137	7	-	1.980
* 200	4	10	6	M10x80	727 627 138	7	-	2.020
* 225	1 ½	10	6	M10x80	727 627 145	5	-	2.049
* 225	2	10	6	M10x80	727 627 146	5	-	1.566
* 225	3	10	6	M10x80	727 627 147	5	-	2.150
* 225	4	10	6	M10x80	727 627 148	5	-	2.184
* 250	2	10	6	M10x80	727 627 156	5	-	2.472
* 250	3	10	6	M10x80	727 627 157	5	-	2.466
* 250	4	10	6	M10x80	727 627 158	5	-	2.478
280	2	10	6	M10x160	727 627 166	3	-	3.440
* 280	3	10	6	M10x160	727 627 167	3	-	3.543
* 280	4	10	6	M10x160	727 627 168	3	-	3.585
315	2	10	6	M10x110	727 627 176	3	-	4.156
* 315	3	10	6	M10x110	727 627 177	3	-	4.267
* 315	4	10	6	M10x110	727 627 178	3	-	4.279

d [mm]	Rp [inch]	d1 [mm]	L [mm]	L1 [mm]	H [mm]	H1 [mm]
* 20	½	12	46	77	59	26
* 25	½	13	49	79	58	15
* 25	¾	13	49	79	58	15
* 32	½	14	49	79	62	20
* 32	¾	14	49	79	62	20
* 32	1	14	62	87	70	20
40	½	21	62	86	71	20
40	¾	21	62	86	71	20
40	1	21	62	86	70	19
50	½	21	62	86	82	20
50	¾	21	62	86	82	20
50	1	21	62	86	82	20
50	1 ¼	21	62	86	82	20
63	½	18	62	101	96	21
63	¾	24	62	101	96	21
63	1	31	62	101	96	21
63	1 ¼	31	62	101	96	21
63	1 ½	31	62	101	96	21
75	½	16	79	123	102	14
75	¾	21	79	123	104	16
75	1	27	79	123	107	19
75	1 ¼	35	79	123	109	21
75	1 ½	42	79	123	109	21
75	2	53	79	123	112	24
90	½	16	87	138	116	14
90	¾	21	87	138	118	16
90	1	27	87	138	121	19

table continued next page

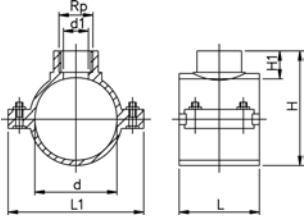


d [mm]	Rp [inch]	d1 [mm]	L [mm]	L1 [mm]	H [mm]	H1 [mm]
90	1 ¼	35	87	138	123	21
90	1 ½	42	87	138	123	21
90	2	53	87	138	126	24
110	½	15	99	152	150	23
110	¾	20	99	152	150	23
110	1	26	99	152	150	23
110	1 ¼	35	99	152	150	23
110	1 ½	41	99	152	150	23
110	2	51	99	152	150	23
110	3	85	99	152	150	23
125	½	15	101	166	169	24
125	¾	20	101	166	169	24
125	1	26	101	166	169	24
125	1 ¼	35	101	166	168	23
125	1 ½	41	101	166	168	23
125	2	50	101	166	168	23
125	3	85	139	178	180	37
125	4	90	139	178	181	38
140	½	18	114	207	191	25
140	¾	24	114	207	191	25
140	1	30	114	207	191	25
140	1 ¼	38	114	207	191	25
140	1 ½	45	114	207	191	24
140	2	50	114	207	191	24
140	3	85	142	208	201	38
140	4	90	142	208	201	38
160	½	18	114	226	215	24
160	¾	24	114	226	215	24
160	1	30	114	226	215	24
160	1 ¼	37	114	226	215	24
160	1 ½	45	114	226	215	24
160	2	51	114	226	215	24
160	3	84	142	228	222	24
160	4	90	142	228	222	24
* 180	1	30	169	262	265	38
* 180	1 ¼	36	169	262	265	38
* 180	1 ½	42	169	262	265	38
* 180	2	54	169	262	265	38
* 180	3	84	169	262	265	38
* 180	4	108	169	262	265	38
* 200	1 ½	45	169	262	265	38
* 200	2	54	169	262	265	38
* 200	3	85	169	262	265	38
* 200	4	103	169	262	267	40
* 225	1 ½	45	145	287	287	26
* 225	2	51	145	287	287	26
* 225	3	85	174	287	295	37
* 225	4	103	174	287	295	38
* 250	2	55	178	310	314	38
* 250	3	85	178	310	314	38
* 250	4	103	178	310	314	38
280	2	51	179	335	326	31
* 280	3	78	179	335	338	41
* 280	4	98	179	335	338	46
315	2	51	246	390	350	31
* 315	3	78	246	390	363	41
* 315	4	98	246	390	363	46



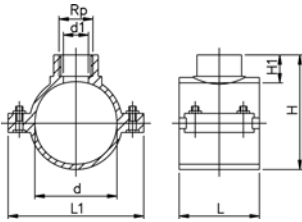
654 - Blue clamp saddles with stainless steel reinforcing ring, flat gasket and galvanized bolts and nuts (PN16-PN10)

- water PN16-10
- suitable for PE and PVC pipes
- female thread: ISO 7 (parallel)
- material: PP
- gasket: O-ring with flat lip (NBR)
- reinforcement ring: stainless steel AISI430
- bolts and nuts : galvanized
- colour: blue
- B= N° of bolts
- M= bolt type
- (*) with O-ring gasket



d [mm]	Rp [inch]	PN	B	M	Code	SP	GP	kg
* 20	½	16	2	M8X40	158 001 041	1	180	0.119
* 25	½	16	2	M8X30	158 001 042	1	150	0.110
* 25	¾	16	2	M8X30	158 001 043	1	150	0.123
* 32	½	16	2	M8X30	158 001 044	1	150	0.103
* 32	¾	16	2	M8X30	158 001 045	1	150	0.115
* 32	1	16	2	M8X40	158 001 046	1	100	0.162
40	½	16	2	M8X40	158 001 047	1	100	0.135
40	¾	16	2	M8X40	158 001 048	1	100	0.146
40	1	16	2	M8X40	158 001 049	1	100	0.153
50	½	16	4	M8X40	158 001 050	1	100	0.196
50	¾	16	4	M8X40	158 001 051	1	100	0.209
50	1	16	4	M8X40	158 001 052	1	100	0.217
50	1 ¼	16	4	M8X40	158 001 053	1	100	0.221
63	½	16	4	M8X40	158 001 054	1	70	0.212
63	¾	16	4	M8X40	158 001 055	1	70	0.222
63	1	16	4	M8X40	158 001 056	1	70	0.228
63	1 ¼	16	4	M8X40	158 001 058	1	60	0.268
63	1 ½	16	4	M8X40	158 001 057	1	60	0.275
75	½	16	4	M8X60	158 001 059	1	40	0.364
75	¾	16	4	M8X60	158 001 060	1	40	0.376
75	1	16	4	M8X60	158 001 061	1	40	0.384
75	1 ¼	16	4	M8X60	158 001 063	1	40	0.421
75	1 ½	16	4	M8X60	158 001 062	1	40	0.428
75	2	16	4	M8X60	158 001 064	1	40	0.437
90	½	16	4	M8X60	158 001 065	1	34	0.412
90	¾	16	4	M8X60	158 001 066	1	34	0.421
90	1	16	4	M8X60	158 001 067	1	34	0.432
90	1 ¼	16	4	M8X60	158 001 069	1	34	0.472
90	1 ½	16	4	M8X60	158 001 068	1	30	0.474
90	2	16	4	M8X60	158 001 070	1	30	0.481
110	½	16	6	M8X50	158 001 071	1	20	0.511
110	¾	16	6	M8X50	158 001 072	1	20	0.523
110	1	16	6	M8X50	158 001 073	1	20	0.533
110	1 ¼	16	6	M8X50	158 001 075	1	20	0.565
110	1 ½	16	6	M8X50	158 001 074	1	20	0.566
110	2	16	6	M8X50	158 001 076	1	20	0.570
110	3	6	6	M8x70	158 001 077	12	-	1.108
125	½	16	6	M8X50	158 001 078	1	20	0.578
125	¾	16	6	M8X50	158 001 079	1	20	0.590
125	1	16	6	M8X50	158 001 080	1	20	0.592
125	1 ¼	16	6	M8X50	158 001 082	1	20	0.629
125	1 ½	16	6	M8X50	158 001 081	1	20	0.627
125	2	16	6	M8X50	158 001 083	1	20	0.640
125	3	6	6	M8X70	158 001 084	12	-	1.009
125	4	6	6	M8X70	158 001 085	12	-	1.051
140	½	16	6	M8X70	158 001 086	20	-	0.830
140	¾	16	6	M8X70	158 001 087	20	-	0.843
140	1	16	6	M8X70	158 001 088	20	-	0.849
140	1 ¼	16	6	M8X70	158 001 090	20	-	0.880
140	1 ½	16	6	M8X70	158 001 089	20	-	0.892

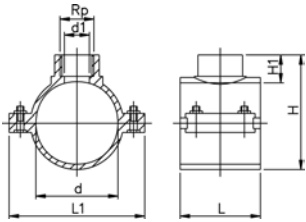
table continued next page



d [mm]	Rp [inch]	PN	B	M	Code	SP	GP	kg
140	2	16	6	M8X70	158 001 091	20	-	0.898
140	3	10	6	M8X70	158 001 092	10	-	1.132
140	4	10	6	M8X70	158 001 093	10	-	1.196
160	½	16	6	M8X70	158 001 094	20	-	0.899
160	¾	16	6	M8X70	158 001 095	20	-	0.908
160	1	16	6	M8X70	158 001 096	20	-	0.917
160	1 ¼	16	6	M8X70	158 001 098	20	-	0.950
160	1 ½	16	6	M8X70	158 001 097	20	-	0.954
160	2	16	6	M8X70	158 001 099	20	-	0.956
160	3	10	6	M8X70	158 001 100	10	-	1.185
160	4	10	6	M8X70	158 001 101	10	-	1.262
* 180	1	10	6	M10X80	158 001 102	7	-	1.980
* 180	1 ¼	10	6	M10X80	158 001 104	7	-	2.013
* 180	1 ½	10	6	M10X80	158 001 103	7	-	2.007
* 180	2	10	6	M10X80	158 001 105	7	-	2.018
* 180	3	10	6	M10X80	158 001 106	7	-	2.043
* 180	4	10	6	M10X80	158 001 107	7	-	2.092
* 200	1 ½	10	6	M10X80	158 001 108	8	-	1.966
* 200	2	10	6	M10X80	158 001 109	7	-	1.946
* 200	3	10	6	M10X80	158 001 110	7	-	1.980
* 200	4	10	6	M10X80	158 001 111	7	-	2.020
* 225	1 ½	10	6	M10X80	158 001 112	5	-	2.049
* 225	2	10	6	M10X80	158 001 113	5	-	2.050
* 225	3	10	6	M10X80	158 001 114	5	-	2.150
* 225	4	10	6	M10X80	158 001 115	5	-	2.184
* 250	2	10	6	M10X80	158 001 116	5	-	2.472
* 250	3	10	6	M10X80	158 001 117	5	-	2.466
* 250	4	10	6	M10X80	158 001 118	5	-	2.478
280	2	10	6	M10X160	158 001 119	3	-	3.440
* 280	3	10	6	M10X160	158 001 120	3	-	3.543
* 280	4	10	6	M10X160	158 001 121	3	-	3.585
315	2	10	6	M10X110	158 001 122	3	-	4.156
* 315	3	10	6	M10X110	158 001 123	3	-	4.267
* 315	4	10	6	M10X110	158 001 124	3	-	4.279

d [mm]	Rp [inch]	d1 [mm]	L [mm]	L1 [mm]	H [mm]	H1 [mm]
* 20	½	12	46	77	59	26
* 25	½	13	49	79	58	15
* 25	¾	13	49	79	58	15
* 32	½	14	49	79	62	20
* 32	¾	14	49	79	62	20
* 32	1	14	62	87	70	20
40	½	21	62	86	71	20
40	¾	21	62	86	71	20
40	1	21	62	86	70	19
50	½	21	62	86	82	20
50	¾	21	62	86	82	20
50	1	21	62	86	82	20
50	1 ¼	21	62	86	82	20
63	½	18	62	101	96	21
63	¾	24	62	101	96	21
63	1	31	62	101	96	21
63	1 ¼	31	62	101	96	21
63	1 ½	31	62	101	96	21
75	½	16	79	123	102	14
75	¾	21	79	123	104	16
75	1	27	79	123	107	19
75	1 ¼	35	79	123	109	21
75	1 ½	42	79	123	109	21
75	2	53	79	123	112	24
90	½	16	87	138	116	14
90	¾	21	87	138	118	16
90	1	27	87	138	121	19
90	1 ¼	35	87	138	123	21
90	1 ½	42	87	138	123	21

table continued next page

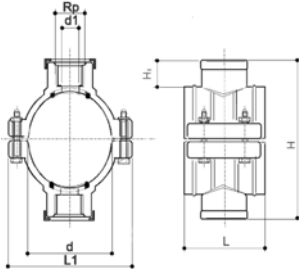


d [mm]	Rp [inch]	d1 [mm]	L [mm]	L1 [mm]	H [mm]	H1 [mm]
90	2	53	87	138	126	24
110	½	15	99	152	150	23
110	¾	20	99	152	150	23
110	1	26	99	152	150	23
110	1 ¼	35	99	152	150	23
110	1 ½	41	99	152	150	23
110	2	51	99	152	150	23
110	3	85	99	152	150	23
125	½	15	101	166	169	24
125	¾	20	101	166	169	24
125	1	26	101	166	169	24
125	1 ¼	35	101	166	168	23
125	1 ½	41	101	166	168	23
125	2	50	101	166	168	23
125	3	85	139	178	180	37
125	4	90	139	178	181	38
140	½	18	114	207	191	25
140	¾	24	114	207	191	25
140	1	30	114	207	191	25
140	1 ¼	38	114	207	191	25
140	1 ½	45	114	207	191	24
140	2	50	114	207	191	24
140	3	85	142	208	201	38
140	4	90	142	208	201	38
160	½	18	114	226	215	24
160	¾	24	114	226	215	24
160	1	30	114	226	215	24
160	1 ¼	37	114	226	215	24
160	1 ½	45	114	226	215	24
160	2	51	114	226	215	24
160	3	84	142	228	222	38
160	4	90	142	228	222	38
* 180	1	30	169	262	265	38
* 180	1 ¼	36	169	262	265	38
* 180	1 ½	54	169	262	265	38
* 180	2	54	169	262	265	38
* 180	3	85	169	262	265	38
* 180	4	103	169	262	267	40
* 200	1 ½	45	169	262	265	38
* 200	2	54	169	262	265	38
* 200	3	85	169	262	265	38
* 200	4	103	169	262	267	40
* 225	1 ½	45	145	287	287	26
* 225	2	51	145	287	287	26
* 225	3	85	174	287	295	37
* 225	4	103	174	287	295	38
* 250	2	55	178	310	314	38
* 250	3	85	178	310	314	38
* 250	4	103	178	310	314	38
280	2	51	179	335	326	31
* 280	3	78	179	335	338	41
* 280	4	98	179	335	338	46
315	2	51	246	390	350	31
* 315	3	78	246	390	363	41
* 315	4	98	246	390	363	46



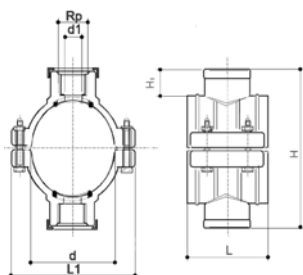
664 - Double blue clamp saddles with stainless steel reinforcing ring, flat gasket and galvanized bolts and nuts (PN16-PN10)

- water PN16-10
- suitable for PE and PVC pipes
- female thread: ISO 7 (parallel)
- material: PP
- gasket: O-ring with flat lip (NBR)
- reinforcement ring: stainless steel AISI430
- bolts and nuts : galvanized
- colour: blue
- B= N° of bolts
- M= bolt type
- (*) with O-ring gasket



d	Rp	PN	B	M	Code	SP	GP	kg	d1	L	L1	H	H1
[mm]	[inch]								[mm]	[mm]	[mm]	[mm]	[mm]
* 20	½	16	2	M8X40	158 001 125	1	150	0.152	12	46	77	84	26
* 25	½	16	2	M8X30	158 001 126	1	150	0.130	13	49	79	80	15
* 25	¾	16	2	M8X30	158 001 127	1	150	0.156	13	49	79	80	15
* 32	½	16	2	M8X30	158 001 128	1	150	0.124	14	49	79	80	20
* 32	¾	16	2	M8X30	158 001 129	1	150	0.148	14	62	87	87	20
* 32	1	16	2	M8X50	158 001 130	1	100	0.212	14	62	87	91	20
40	½	16	2	M8X50	158 001 131	1	100	0.168	21	62	86	91	20
40	¾	16	2	M8X50	158 001 132	1	100	0.190	21	62	86	91	20
40	1	16	2	M8X50	158 001 133	1	100	0.204	21	62	86	89	19
50	½	16	4	M8X50	158 001 134	1	100	0.236	21	62	86	101	20
50	¾	16	4	M8X50	158 001 135	1	100	0.262	21	62	86	101	20
50	1	16	4	M8X50	158 001 136	1	100	0.278	21	62	86	101	20
50	1 ¼	16	4	M8X50	158 001 137	1	100	0.286	21	62	86	101	20
63	½	16	4	M8X50	158 001 138	1	60	0.254	18	62	101	115	21
63	¾	16	4	M8X50	158 001 139	1	60	0.274	24	62	101	115	21
63	1	16	4	M8X50	158 001 140	1	60	0.286	31	62	101	115	21
63	1 ¼	16	4	M8X50	158 001 142	1	60	0.366	31	62	101	115	21
63	1 ½	16	4	M8X50	158 001 141	1	60	0.380	31	62	101	115	21
75	½	16	4	M8X70	158 001 143	1	40	0.392	16	79	123	115	14
75	¾	16	4	M8X70	158 001 144	1	40	0.416	21	79	123	119	16
75	1	16	4	M8X70	158 001 145	1	40	0.432	27	79	123	125	19
75	1 ¼	16	4	M8X70	158 001 147	1	32	0.506	35	79	123	129	21
75	1 ½	16	4	M8X70	158 001 146	1	32	0.520	42	79	123	129	21
75	2	16	4	M8X70	158 001 148	1	30	0.538	53	79	123	135	24
90	½	16	4	M8X70	158 001 149	1	30	0.440	16	87	138	129	14
90	¾	16	4	M8X70	158 001 150	1	30	0.458	21	87	138	133	16
90	1	16	4	M8X70	158 001 151	1	30	0.480	27	87	138	139	19
90	1 ¼	16	4	M8X70	158 001 153	1	30	0.560	35	87	138	145	21
90	1 ½	16	4	M8X70	158 001 152	1	30	0.564	42	87	138	145	21
90	2	16	4	M8X70	158 001 154	1	30	0.578	53	87	138	151	24
110	½	16	6	M8X70	158 001 155	1	20	0.572	15	99	152	169	23
110	¾	16	6	M8X70	158 001 156	1	20	0.596	20	99	152	169	23
110	1	16	6	M8X70	158 001 157	1	20	0.616	26	99	152	169	23
110	1 ¼	16	6	M8X70	158 001 159	1	20	0.680	35	99	152	169	23
110	1 ½	16	6	M8X70	158 001 158	1	20	0.682	41	99	152	169	23
110	2	16	6	M8X70	158 001 160	1	20	0.690	51	99	152	169	23
110	3	6	6	M8X70	158 001 161	10	-	1.362	85	99	152	169	23
125	½	16	6	M8X70	158 001 162	1	20	0.642	15	101	166	189	24
125	¾	16	6	M8X70	158 001 163	1	20	0.666	20	101	166	189	24
125	1	16	6	M8X70	158 001 164	1	20	0.670	26	101	166	189	24
125	1 ¼	16	6	M8X70	158 001 166	1	20	0.744	35	101	166	188	23
125	1 ½	16	6	M8X70	158 001 165	1	20	0.740	41	101	166	188	23
125	2	16	6	M8X70	158 001 167	1	20	0.766	50	101	166	188	23
125	3	6	6	M8X70	158 001 168	10	-	1.238	85	139	178	188	37
125	4	6	6	M8X70	158 001 169	10	-	1.322	90	139	178	188	38
140	½	16	6	M8X70	158 001 170	20	-	0.868	18	114	207	209	25
140	¾	16	6	M8X70	158 001 171	20	-	0.894	24	114	207	208	25
140	1	16	6	M8X70	158 001 172	20	-	0.906	30	114	207	208	25
140	1 ¼	16	6	M8X70	158 001 174	20	-	0.968	38	114	207	208	25
140	1 ½	16	6	M8X70	158 001 173	20	-	0.992	45	114	207	206	24

table continued next page

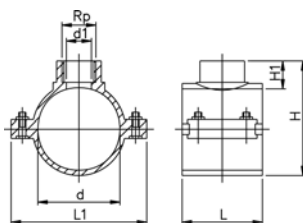


d [mm]	Rp [inch]	PN	B	M	Code	SP	GP	kg	d1 [mm]	L [mm]	L1 [mm]	H [mm]	H1 [mm]
140	2	16	6	M8X70	158 001 175	20	-	1.004	50	114	207	207	24
140	3	10	6	M8X70	158 001 176	10	-	1.326	85	142	208	207	38
140	4	10	6	M8X70	158 001 177	8	-	1.454	90	142	208	207	38
160	½	16	6	M8X70	158 001 178	20	-	0.928	18	114	226	225	24
160	¾	16	6	M8X70	158 001 179	20	-	0.946	24	114	226	225	24
160	1	16	6	M8X70	158 001 180	20	-	0.964	30	114	226	225	24
160	1 ¼	16	6	M8X70	158 001 182	20	-	1.030	37	114	226	225	24
160	1 ½	16	6	M8X70	158 001 181	20	-	1.038	45	114	226	225	24
160	2	16	6	M8X70	158 001 183	20	-	1.042	51	114	226	225	24
160	3	10	6	M8X70	158 001 184	5	-	1.376	85	142	228	225	38
160	4	10	6	M8X70	158 001 185	5	-	1.530	90	142	228	225	38
* 180	1	10	6	M10X80	158 001 186	5	-	2.234	30	169	262	303	38
* 180	1 ¼	10	6	M10X80	158 001 188	5	-	2.300	37	169	262	303	38
* 180	1 ½	10	6	M10X80	158 001 187	5	-	2.288	45	169	262	303	38
* 180	2	10	6	M10X80	158 001 189	5	-	2.310	51	169	262	303	38
* 180	3	10	6	M10X80	158 001 190	5	-	2.360	85	169	262	303	38
* 180	4	10	6	M10X80	158 001 191	5	-	2.458	90	169	262	303	40
* 200	1 ½	10	6	M10X80	158 001 192	5	-	2.196	45	169	262	323	38
* 200	2	10	6	M10X80	158 001 193	5	-	2.156	51	169	262	323	38
* 200	3	10	6	M10X80	158 001 194	5	-	2.224	85	169	262	323	38
* 200	4	10	6	M10X80	158 001 195	5	-	2.304	90	169	262	323	40
* 225	1 ½	10	6	M10X80	158 001 196	5	-	2.162	45	145	287	351	26
* 225	2	10	6	M10X80	158 001 197	5	-	2.164	51	145	287	351	26
* 225	3	10	6	M10X80	158 001 198	4	-	2.364	85	174	287	351	37
* 225	4	10	6	M10X80	158 001 199	4	-	2.432	90	174	287	351	38
* 250	2	10	6	M10X80	158 001 200	3	-	2.686	51	178	310	375	38
* 250	3	10	6	M10X80	158 001 201	3	-	2.674	85	178	310	375	38
* 250	4	10	6	M10X80	158 001 202	3	-	2.698	90	178	310	375	38

154 (for metal pipes) -Black clamp saddles with reinforcing ring and flat gasket , galvanized bolts and nuts



- water PN12,5
- suitable for metal pipe (see " d " in the table)
- female thread: ISO 7 (parallel)
- material: PP
- gasket: O-ring with flat lip (NBR)
- reinforcement ring: stainless steel AISI430
- bolts and nuts : galvanized
- colour: black
- B= N° of bolts
- M= bolt type



d [mm]	Rp [inch]	PN [bar]	B	M	Code	SP	GP	kg	d1 [mm]	L [mm]	L1 [mm]	H [mm]	H1 [mm]
60	½	12.5	4	M8X40	158 001 203	1	70	0.221	18	62	101	96	21
60	¾	12.5	4	M8X40	158 001 706	1	70	0.229	24	62	101	96	21
60	1	12.5	4	M8X40	158 001 707	1	70	0.235	31	62	101	96	21
60	1 ¼	12.5	4	M8X40	158 001 709	1	60	0.230	31	62	101	96	21
60	1 ½	12.5	4	M8X40	158 001 708	1	60	0.244	31	62	101	96	21
80	½	12.5	4	M8X50	158 001 204	1	40	0.301	18	77	116	113	20
80	¾	12.5	4	M8X50	158 001 205	1	40	0.312	20	77	116	113	20
80	1	12.5	4	M8X50	158 001 206	1	40	0.317	27	77	116	113	20
80	1 ¼	12.5	4	M8X50	158 001 208	1	40	0.307	35	77	116	113	20
80	1 ½	12.5	4	M8X50	158 001 207	1	40	0.323	45	77	116	113	20
100	½	12.5	4	M8X50	158 001 209	1	20	0.472	15	99	155	147	22
100	¾	12.5	4	M8X50	158 001 210	1	20	0.476	20	99	155	147	22
100	1	12.5	4	M8X50	158 001 211	1	20	0.485	26	99	155	147	22
100	1 ¼	12.5	4	M8X50	158 001 213	1	20	0.473	35	99	155	147	22
100	1 ½	12.5	4	M8X50	158 001 212	1	20	0.488	41	99	155	147	22
120	¾	12.5	4	M8X50	158 001 214	1	20	0.548	20	101	166	167	24
120	1	12.5	4	M8X50	158 001 215	1	20	0.555	26	101	166	167	24
120	1 ¼	12.5	4	M8X50	158 001 217	1	20	0.543	35	101	166	167	24
120	1 ½	12.5	4	M8X50	158 001 216	1	20	0.550	41	101	166	167	24

POLY16 Plus Tapping Saddles

Technical Specifications

POLY16 Plus tapping can be used to drill the pipe line under pressure, when extending or replacing distribution networks is required.

The complete range of POLY16 tapping saddles from 50 up to 160 mm can be installed at 16 bar working pressure even in wet site conditions.




Pressure range	MOP of 16 bar for the complete range
Temperature range	-10 °C to +45 °C
Materials	Body UV stabilized polypropylene (PP) Nut and sealing cup UV stabilized polypropylene (PP) Cutter Universal line: brass PE line: polyacetalic resin and stainless steel AISI 304 Clamp ring Poyacetal (POM) Gaskets Food-safe NBR rubber suitable for potable water Bolts and nuts Galvanized or stainless steel
Standards	For PE pipes: DIN EN 12201; ISO 11922-1; DIN 8074; EN 12201-1/2; AS/NZS 4130; BS 6572; BS 6730; ISO 4427; UNI 7990; ISO 12162 For PVC pipes: UNI EN 1452-1/2; DIN 8062; ISO 4422-1/2 Threads DIN EN 10226 (ISO 7-1); BS 21; AS 1722.1
Test standards	AS/NZS 4129 ISO 13460

POLY16 Plus Tapping Saddle Universal Line (for PE and PVC Pipes)

Assembly Instructions

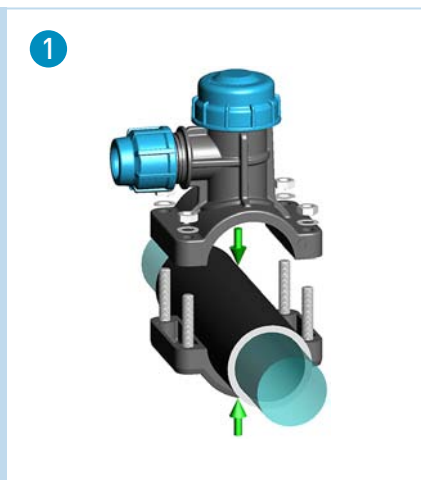
Tab. 1: Special GF key



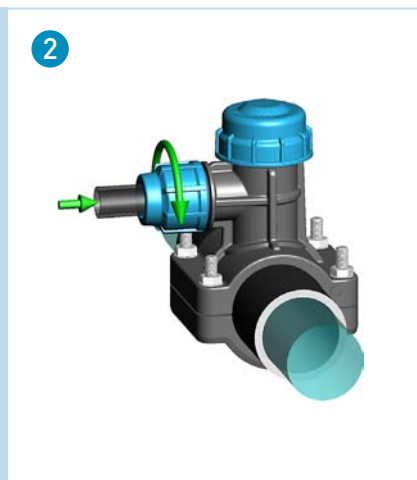
DN Main (mm)	Offtake	H (mm)
50-63	ALL	80
75-90	ALL	90
110-125-140-160	25-32-40-1"	110
110-125-140-160	50-63-75-2"	130

Max. wall thickness cut (e)

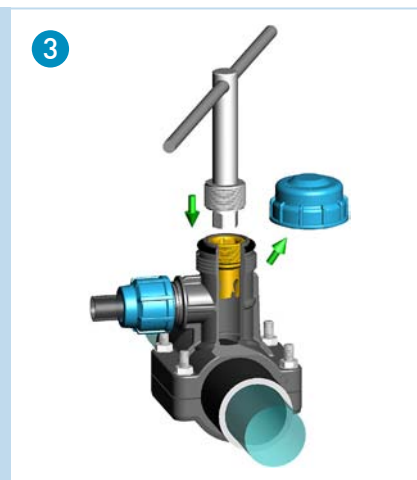
DN Main (mm)	e (mm)
50	10
63	10
75	14
90	14
110	16
125	20
140	20
160	20



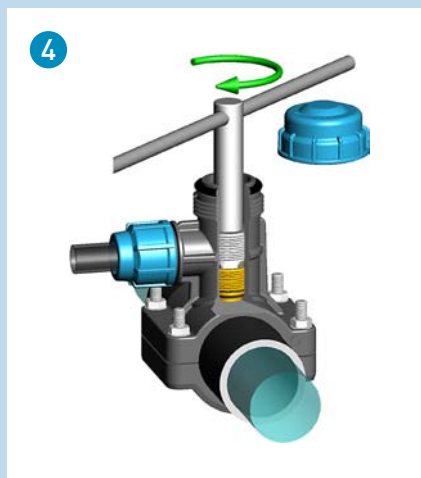
Place the bolts in the lower section of the saddle and place underneath the pipe. Assemble the gasket in the upper section site. Attach the upper section and tighten diagonally (If SS bolts are used, lubrication of the bolts is recommended).



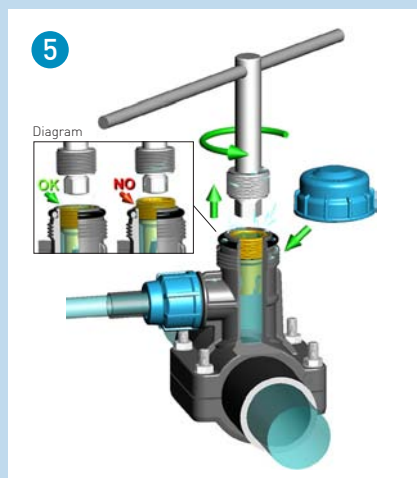
Insert the outlet pipe (or connect the female thread) and assemble in accordance with the compression fittings instructions.



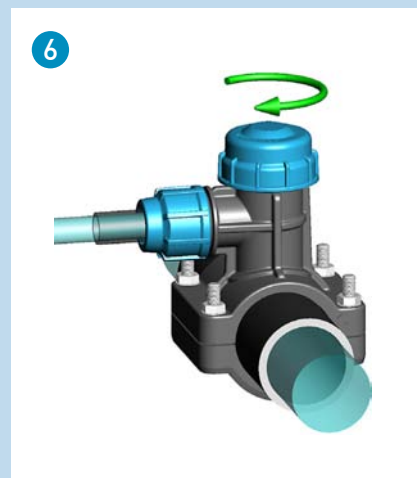
Unscrew the sealing cap and insert the special GF key (Tab. 1) into the hexagonal recess of the cutter (caution: take care to align the saddle and key threads)



Screw the cutter into the pipe until a small amount of water escapes past the threads, and/or until the screwing strength decreases, showing the main has been tapped. When the screwing strength increases again, you have reached the final stop of the cutter inside the saddle. We recommend to mark the key with the correct drilling depth (H) (Tab.1). Screw the cutter until the mark aligns with the top of the tapping saddle thread.



Unscrew the cutter to the top of the tapping saddle thread: do not go beyond this point (see diagram in picture 5).




To complete the assembly, refit the sealing cap using the GF spanner for compression fittings.

POLY16 Plus Tapping Saddle PE Line (for PE Pipe only)

Assembly Instructions

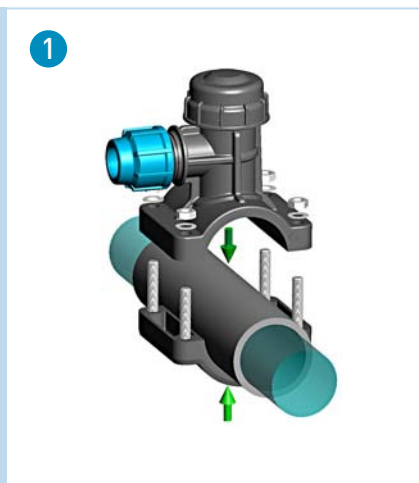
Tab. 1: 17 mm standard hexagonal key



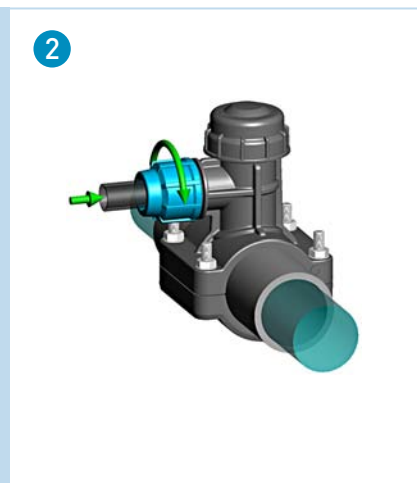
DN Main (mm)	Offtake	H (mm)
50-63	ALL	55
75-90	ALL	65
110-125-140-160	25-32-40-1"	85
110-125-140-160	50-63-75-2"	95

Max. wall thickness cut (e)

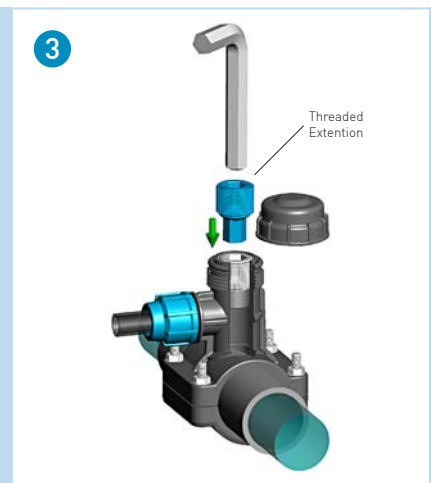
DN Main (mm)	e (mm)
50	10
63	10
75	14
90	14
110	16
125	20
140	20
160	20



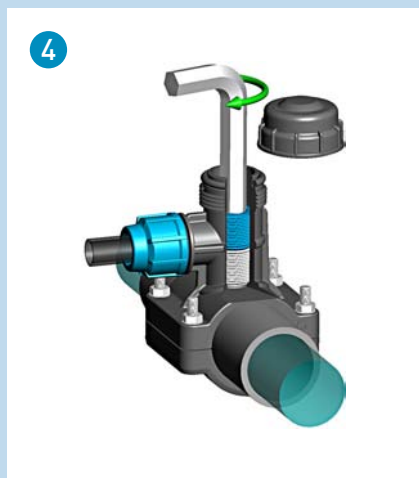
Place the bolts in the lower section of the saddle and place underneath the pipe. Assemble the gasket in the upper section site. Attach the upper section and tighten diagonally. (If SS bolts are used, lubrication of the bolts is recommended).



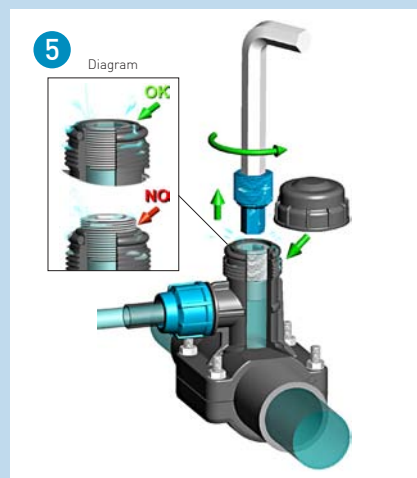
Insert the outlet pipe (or connect the female thread) and assemble in accordance with the compression fittings instructions.



Unscrew the sealing cap and insert the relevant threaded extension into the hexagonal recess of the cutter. Screw using an hexagonal standard key (Tab. 1). Caution: take care to align hexagons threaded extension-cutter, and saddle-extension threads.



Screw the threaded extension/cutter system until a small amount of water escapes through the threads, and/or until the screwing strength decreases, showing the main has been tapped. When the screwing strength increases again, you have reached the final stop of the cutter inside the saddle. We recommend to mark the key with the correct drilling depth (H), (Tab. 1). Screw the cutter until the mark aligns with the top of the saddle.



Unscrew the extension/cutter system to the top of the saddle: the cutter doesn't have to go beyond this point (see diagram in picture 5). Remove the threaded cutter extension.



To complete the assembly, refit the sealing cap using a tightening wrench for compression fittings.

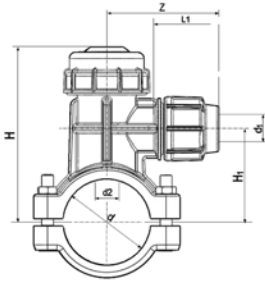
POLY16 Plus Tapping Saddle

UNIVERSAL LINE

684C - Tapping Saddle for PE and PVC pipes with compression fitting offtake, flat gasket and stainless steel bolts and nuts



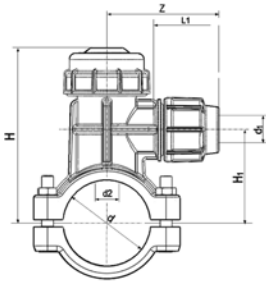
- water PN16
- suitable for PE, PEX-a and PVC pipes
- material: PP
- cutter: brass
- gasket: NBR (saddle: O-ring with flat lip; offtake: double lip; sealing cup: O-ring)
- bolts and nuts : stainless steel
- colour: blue-black
- Key kit type (L=little; M=medium; B=big)
- B= N° of bolts
- M= bolt type



d [mm]	d1 [mm]	PN	B	M	Key Kit type	Code	SP	GP	kg
50	20	16	4	M8X50	L	700 627 748	1	10	0.437
50	25	16	4	M8X50	L	700 627 749	1	10	0.458
50	32	16	4	M8X50	L	700 627 750	1	10	0.486
63	20	16	4	M8X50	L	700 627 751	1	8	0.487
63	25	16	4	M8X50	L	700 627 752	1	8	0.508
63	32	16	4	M8X50	L	700 627 753	1	8	0.536
75	25	16	4	M8X70	M	700 627 754	1	6	0.665
75	32	16	4	M8X70	M	700 627 755	1	6	0.693
75	40	16	4	M8X70	M	700 627 756	1	5	0.795
90	25	16	4	M8X70	M	700 627 757	1	6	0.723
90	32	16	4	M8X70	M	700 627 758	1	5	0.751
90	40	16	4	M8X70	M	700 627 759	1	5	0.853
110	25	16	6	M8X70	M	700 627 760	1	2	1.016
110	32	16	6	M8X70	M	700 627 761	1	2	1.042
110	40	16	6	M8X70	M	700 627 762	1	2	1.141
110	50	16	6	M8X70	B	700 627 763	1	2	1.490
110	63	16	6	M8X70	B	700 627 764	1	1	1.763
110	75	16	6	M8X70	B	700 627 765	1	1	1.821
125	32	16	6	M8X70	B	700 627 766	2	-	1.290
125	40	16	6	M8X70	B	700 627 767	2	-	1.611
125	50	16	6	M8X70	B	700 627 768	2	-	1.699
125	63	16	6	M8X70	B	700 627 769	1	-	1.735
125	75	16	6	M8X70	B	700 627 770	1	-	2.242
140	32	16	6	M10X100	B	700 627 771	1	-	1.889
140	40	16	6	M10X100	B	700 627 772	1	-	2.262
140	50	16	6	M10X100	B	700 627 773	1	-	2.349
140	63	16	6	M10X100	B	700 627 774	1	-	2.622
140	75	16	6	M10X100	B	700 627 775	1	-	2.893
160	32	16	6	M10X110	B	700 627 776	1	-	2.214
160	40	16	6	M10X110	B	700 627 777	1	-	2.312
160	50	16	6	M10X110	B	700 627 778	1	-	2.400
160	63	16	6	M10X110	B	700 627 779	1	-	2.673
160	75	16	6	M10X110	B	700 627 780	1	-	2.943

d [mm]	d1 [mm]	d2 [mm]	H [mm]	H1 [mm]	L [mm]	L1 [mm]	z [mm]
50	20	26	118	58	75	55	80
50	25	26	118	58	75	58	90
50	32	26	118	58	75	64	100
63	20	26	125	65	90	55	80
63	25	26	125	65	90	60	90
63	32	26	125	65	90	63	100
75	25	33	142	75	98	60	90
75	32	33	142	75	98	62	100
75	40	33	142	75	98	74	120
90	25	33	152	85	100	60	90

table continued next page

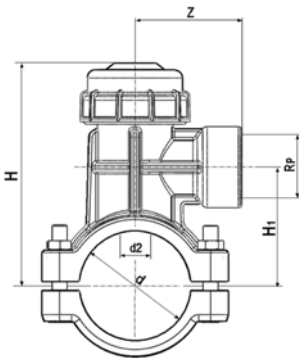


d	d1	d2	H	H1	L	L1	z
[mm]	[mm]	[mm]	[mm]	[mm]	[mm]	[mm]	[mm]
90	32	33	152	85	100	62	100
90	40	33	152	85	100	74	120
110	25	33	190	108	130	60	100
110	32	33	190	108	130	77	118
110	40	33	190	118	130	87	130
110	50	40	205	118	130	108	151
110	63	40	205	118	130	125	180
110	75	40	205	118	130	146	205
125	32	40	210	115	135	76	120
125	40	40	210	115	135	87	130
125	50	40	225	130	135	102	146
125	63	40	225	130	135	128	180
125	75	40	225	130	135	146	205
140	32	40	225	125	155	72	120
140	40	40	225	125	155	87	130
140	50	40	240	135	155	102	146
140	63	40	240	135	155	128	180
140	75	40	240	135	155	146	205
160	32	40	235	140	160	76	120
160	40	40	235	140	160	87	130
160	50	40	250	155	160	110	146
160	63	40	250	155	160	128	180
160	75	40	250	155	160	146	205



684F - Tapping Saddle for PE and PVC pipes with threaded female offtake, flat gasket and stainless steel bolts and nuts

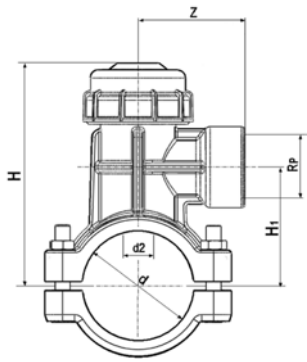
- water PN16
- female thread: ISO 7 (parallel)
- suitable for PE, PEX-a and PVC pipes
- material: PP
- cutter: brass
- gasket: NBR (saddle: O-ring with flat lip; sealing cup: O-ring)
- bolts and nuts : stainless steel
- colour: blue
- colour: blue-black
- Key kit type (L=little; M=medium; B=big)
- B= N° of bolts
- M= bolt type



d	Rp	PN	B	M	Key Kit type	Code	SP	GP	kg
[mm]	[inch]								
50	1	16	4	M8X50	L	700 627 791	1	10	0.437
63	1	16	4	M8X50	L	700 627 792	1	8	0.487
75	1	16	4	M8X70	M	700 627 793	1	6	0.644
90	1	16	4	M8X50	M	700 627 794	1	5	0.702
90	2	16	4	M8X50	M	700 627 795	1	5	0.736
110	1	16	6	M8X50	M	700 627 796	1	2	0.996
110	2	16	6	M8X50	B	700 627 797	1	2	1.304
125	2	16	6	M8X50	B	700 627 798	2	-	1.513
140	2	16	6	M10X100	B	700 627 799	1	-	2.164
160	2	16	6	M10X100	B	700 627 800	1	-	2.214

d	Rp	d2	H	H1	L	z
[mm]	[inch]	[mm]	[mm]	[mm]	[mm]	[mm]
50	1	26	118	58	75	61
63	1	26	125	65	90	61
75	1	33	142	75	98	61
90	1	33	152	85	100	61
90	2	33	152	85	100	72
110	1	33	190	108	130	78
110	2	40	205	118	130	80

table continued next page



d [mm]	Rp [inch]	d2 [mm]	H [mm]	H1 [mm]	L [mm]	z [mm]
125	2	40	225	130	135	80
140	2	40	240	135	155	80
160	2	40	250	155	160	80



Key kit for Tapping Saddle Universal Line

- Essential for Tapping Saddle Universal Line assembly

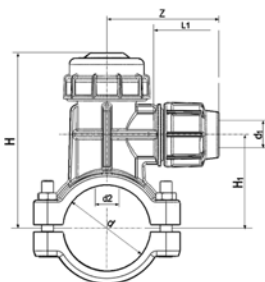
Dim.	Code	SP	GP	kg
L (little)	158 001 777	4	-	0.552
M (medium)	158 001 778	4	-	0.710
B (big)	158 001 779	4	-	0.896

POLY16 Plus Tapping Saddle PE LINE

680C - Tapping Saddle for PE pipes with compression fitting offtake, O-ring gasket and galvanized bolts and nuts



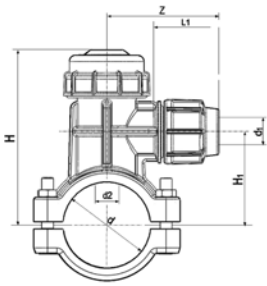
- water PN16
- suitable for PE and PEX-a pipes
- material: PP
- cutter: stainless steel (AISI304) and polyacetalic resin (POM)
- gasket: NBR (saddle and sealing cup: O-ring; offtake: double lip)
- bolts and nuts : galvanized
- colour: blue
- colour: blue-black
- B= N° of bolts
- M= bolt type



d	d1	PN	B	M	Code	SP	GP	kg
[mm]	[mm]							
50	20	16	4	M8X50	700 627 715	1	10	0.385
50	25	16	4	M8x50	700 627 716	1	10	0.406
50	32	16	4	M8X50	700 627 717	1	10	0.434
63	20	16	4	M8X50	700 627 718	1	8	0.435
63	25	16	4	M8X50	700 627 719	1	8	0.456
63	32	16	4	M8X50	700 627 720	1	8	0.484
75	25	16	4	M8X70	700 627 721	1	6	0.595
75	32	16	4	M8X70	700 627 722	1	6	0.623
75	40	16	4	M8X70	700 627 723	1	5	0.725
90	25	16	4	M8X70	700 627 724	1	6	0.653
90	32	16	4	M8X70	700 627 725	1	5	0.681
90	40	16	4	M8X70	700 627 726	1	5	0.784
110	25	16	6	M8X70	700 627 727	1	2	0.937
110	32	16	6	M8X70	700 627 728	1	2	0.963
110	40	16	6	M8X70	700 627 729	1	2	1.062
110	50	16	6	M8X70	700 627 730	1	2	1.290
110	63	16	6	M8X70	700 627 731	1	1	1.563
110	75	16	6	M8X70	700 627 732	1	1	1.622
125	32	16	6	M8X70	700 627 733	2	2	1.313
125	40	16	6	M8X70	700 627 734	2	2	1.412
125	50	16	6	M8X70	700 627 735	2	2	1.499
125	63	16	6	M8X70	700 627 736	1	1	1.772
125	75	16	6	M8X70	700 627 737	1	1	2.042
140	32	16	6	M10X100	700 627 738	1	1	1.940
140	40	16	6	M10X100	700 627 739	1	1	2.038
140	50	16	6	M10X100	700 627 740	1	1	2.126
140	63	16	6	M10X100	700 627 741	1	1	2.399
140	75	16	6	M10X100	700 627 742	1	1	2.669
160	32	16	6	M10X110	700 627 743	1	1	1.990
160	40	16	6	M10X110	700 627 744	1	1	2.089
160	50	16	6	M10X110	700 627 745	1	1	2.176
160	63	16	6	M10X110	700 627 746	1	1	2.449
160	75	16	6	M10X110	700 627 747	1	1	2.719

d	d1	d2	H	H1	L	L1	z
[mm]	[mm]	[mm]	[mm]	[mm]	[mm]	[mm]	[mm]
50	20	26	118	58	75	55	80
50	25	26	118	58	75	58	90
50	32	26	118	58	75	64	100
63	20	26	125	65	90	55	80
63	25	26	125	65	90	60	90
63	32	26	125	65	90	63	100
75	25	33	142	75	98	60	90
75	32	33	142	75	98	62	100
75	40	33	142	75	98	74	120
90	25	33	152	85	100	60	90
90	32	33	152	85	100	62	100
90	40	33	152	85	100	74	120
110	25	33	190	108	130	60	100
110	32	33	190	108	130	77	118

table continued next page

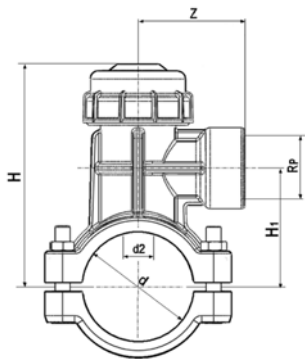


d [mm]	d1 [mm]	d2 [mm]	H [mm]	H1 [mm]	L [mm]	L1 [mm]	z [mm]
110	40	33	190	118	130	87	130
110	50	40	205	118	130	108	151
110	63	40	205	118	130	125	180
110	75	40	205	118	130	146	205
125	32	40	210	115	135	76	120
125	40	40	210	115	135	87	130
125	50	40	225	130	135	102	146
125	63	40	225	130	135	128	180
125	75	40	225	130	135	146	205
140	32	40	225	125	155	72	120
140	40	40	225	125	155	87	130
140	50	40	240	135	155	102	146
140	63	40	240	135	155	128	180
140	75	40	240	135	155	146	205
160	32	40	235	140	160	76	120
160	40	40	235	140	160	87	130
160	50	40	250	155	160	110	146
160	63	40	250	155	160	128	180
160	75	40	250	155	160	146	205

680F - Tapping Saddle for PE pipes with threaded female offtake, O-ring gasket and galvanized bolts and nuts



- water PN16
- female thread: ISO 7 (parallel)
- suitable for PE and PEX-a pipes
- material: PP
- gasket: NBR (saddle and sealing cup: O-ring)
- bolts and nuts : galvanized
- colour: black
- B= N° of bolts
- M= bolt type



d [mm]	Rp [inch]	PN	B	M	Code	SP	GP	kg	d2 [mm]	H [mm]	H1 [mm]	L [mm]	z [mm]
50	1	16	4	M8x50	700 627 781	1	10	0.385	26	118	58	75	61
63	1	16	4	M8x50	700 627 782	1	8	0.435	26	125	65	90	61
75	1	16	4	M8x70	700 627 783	1	6	0.574	33	142	75	98	61
90	1	16	4	M8x70	700 627 784	1	5	0.632	33	152	85	100	61
90	2	16	4	M8x70	700 627 785	1	5	0.666	33	152	85	100	72
110	1	16	6	M8x70	700 627 786	1	2	0.917	33	190	108	130	78
110	2	16	6	M8x70	700 627 787	1	2	1.105	40	205	118	130	80
125	2	16	6	M8x70	700 627 788	2	-	1.313	40	225	130	135	80
140	2	16	6	M10X100	700 627 789	1	-	1.940	40	240	135	155	80
160	2	16	6	M10X110	700 627 790	1	-	1.990	40	250	155	160	80

AN Clamp Saddles

Technical Specifications



Pressure range	MOP of 12,5 bar from 20 mm up to 160 mm
Temperature range	-10 °C to +45 °C
Materials	Body UV stabilized polypropylene (PP) Gasket Food-safe NBR rubber suitable for potable water. Bolts and nuts Galvanized
Standards	For PE pipes: DIN EN 12201; ISO 11922-1; DIN 8074; EN 12201-1/2; AS/NZS 4130; BS 6572; BS 6730; ISO 4427; UNI 7990; ISO 12162 Threads DIN EN 10226 (ISO 7-1); BS 21; AS 1722.1
Test standards	AS/NZS 4129 ISO 13460

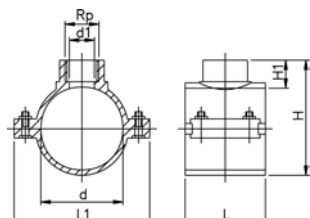
Assembly Instructions: see POLY16 Plus Clamp Saddle Assembly Instructions

AN BLACK CLAMP SADDLES

150 - Black clamp saddles with O-ring gasket and galvanized bolts and nuts (PN12,5)



- B = No. of bolts
- M = bolt type
- suitable for PE and PVC pipes
- material: PP
- female thread: ISO 7 (parallel)

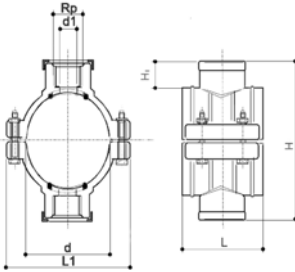


d [mm]	Rp [inch]	PN	B	M	Code	SP	GP	kg	d1 [mm]	L [mm]	L1 [mm]	H [mm]	H1 [mm]
20	½	12,5	2	M8X30	158 001 590	1	180	0.109	12	46	77	59	26
25	½	12,5	2	M8X30	158 001 591	1	150	0.100	13	49	79	58	15
25	¾	12,5	2	M8X30	158 001 592	1	150	0.104	13	49	79	58	15
32	½	12,5	2	M8X30	158 001 593	1	150	0.093	14	49	79	62	20
32	¾	12,5	2	M8X30	158 001 594	1	150	0.097	14	49	79	62	20
32	1	12,5	2	M8X30	158 001 595	1	100	0.139	14	62	87	70	20
40	½	12,5	2	M8X40	158 001 596	1	100	0.124	21	62	86	71	20
40	¾	12,5	2	M8X40	158 001 597	1	100	0.125	21	62	86	71	20
40	1	12,5	2	M8X40	158 001 598	1	100	0.128	21	62	86	70	19
50	½	12,5	2	M8X40	158 001 599	1	100	0.134	21	62	86	82	20
50	¾	12,5	2	M8X40	158 001 600	1	100	0.087	21	62	86	82	20
50	1	12,5	2	M8X40	158 001 601	1	100	0.139	21	62	86	82	20
50	1 ¼	12,5	2	M8X40	158 001 602	1	100	0.137	21	62	86	82	20
63	½	12,5	4	M8X40	158 001 605	1	70	0.201	18	62	101	96	21
63	¾	12,5	4	M8X40	158 001 606	1	70	0.203	24	62	101	96	21
63	1	12,5	4	M8X40	158 001 607	1	70	0.205	31	62	101	96	21
63	1 ¼	12,5	4	M8X40	158 001 609	1	60	0.211	31	62	101	96	21
63	1 ½	12,5	4	M8X40	158 001 608	1	60	0.218	31	62	101	96	21
75	½	12,5	4	M8X70	158 001 610	1	40	0.342	16	79	123	102	14
75	¾	12,5	4	M8X70	158 001 611	1	40	0.345	21	79	123	104	16
75	1	12,5	4	M8X70	158 001 612	1	40	0.349	27	79	123	107	19
75	1 ¼	12,5	4	M8X70	158 001 614	1	40	0.352	35	79	123	109	21
75	1 ½	12,5	4	M8X70	158 001 613	1	40	0.354	42	79	123	109	21
75	2	12,5	4	M8X70	158 001 615	1	40	0.366	53	79	123	112	24
90	½	12,5	4	M8X70	158 001 616	1	34	0.391	16	87	138	116	14
90	¾	12,5	4	M8X70	158 001 617	1	34	0.363	21	87	138	118	16
90	1	12,5	4	M8X70	158 001 618	1	34	0.396	27	87	138	121	19
90	1 ¼	12,5	4	M8X70	158 001 620	1	34	0.403	35	87	138	123	21
90	1 ½	12,5	4	M8X70	158 001 619	1	30	0.404	42	87	138	123	21
90	2	12,5	4	M8X70	158 001 621	1	30	0.412	53	87	138	126	24
110	½	12,5	4	M8X50	158 001 622	1	13	0.439	15	99	152	150	23
110	¾	12,5	4	M8X50	158 001 623	1	20	0.433	20	99	152	150	23
110	1	12,5	4	M8X50	158 001 624	1	20	0.430	26	99	152	150	23
110	1 ¼	12,5	4	M8X50	158 001 626	1	20	0.433	35	99	152	150	23
110	1 ½	12,5	4	M8X50	158 001 625	1	20	0.439	41	99	152	150	23
110	2	12,5	4	M8X50	158 001 627	1	20	0.443	51	99	152	150	23
125	½	12,5	4	M8X50	158 001 628	1	20	0.501	15	101	166	169	24
125	¾	12,5	4	M8X50	158 001 629	1	20	0.500	20	101	166	169	24
125	1	12,5	4	M8X50	158 001 630	1	20	0.496	26	101	166	169	24
125	1 ¼	12,5	4	M8X50	158 001 632	1	20	0.503	35	101	166	168	23
125	1 ½	12,5	4	M8X50	158 001 631	1	20	0.500	41	101	166	168	23
125	2	12,5	4	M8X50	158 001 671	1	20	0.505	50	101	166	168	23
140	½	12,5	4	M8X70	158 001 257	20	-	0.815	18	114	207	191	25
140	¾	12,5	4	M8X70	158 001 258	20	-	0.809	24	114	207	190	24
140	1	12,5	4	M8X70	158 001 259	20	-	0.821	30	114	207	190	24
140	1 ¼	12,5	4	M8X70	158 001 261	20	-	0.815	38	114	207	190	24
140	1 ½	12,5	4	M8X70	158 001 260	20	-	0.821	45	114	207	189	23
140	2	12,5	4	M8X70	158 001 262	20	-	0.815	50	114	207	190	24
160	½	12,5	4	M8X70	158 001 263	20	-	0.879	18	114	226	215	24
160	¾	12,5	4	M8X70	158 001 264	20	-	0.879	24	114	226	215	24
160	1	12,5	4	M8X70	158 001 265	20	-	0.888	30	114	226	215	24
160	1 ¼	12,5	4	M8X70	158 001 267	20	-	0.884	37	114	226	215	24
160	1 ½	12,5	4	M8X70	158 001 266	20	-	0.888	45	114	226	215	24
160	2	12,5	4	M8X70	158 001 268	20	-	0.890	50	114	226	215	24



160 - Double black clamp saddles with O-ring gasket and galvanized bolts and nuts (PN12,5)

- B = No. of bolts
- M = bolt type
- suitable for PE and PVC pipes
- material: PP
- female thread: ISO 7 (parallel)



d [mm]	Rp [inch]	PN	B	M	Code	SP	GP	kg	d1 [mm]	L [mm]	L1 [mm]	H [mm]	H1 [mm]
25	1/2	12.5	2	M8X30	158 001 633	1	150	0.110	13	49	79	80	15
25	3/4	12.5	2	M8X30	158 001 634	1	150	0.118	13	49	79	80	15
32	1/2	12.5	2	M8X30	158 001 635	1	150	0.104	14	49	79	80	20
32	3/4	12.5	2	M8X30	158 001 636	1	150	0.112	14	49	79	80	20
32	1	12.5	2	M8X40	158 001 269	1	100	0.166	14	62	87	87	20
40	1/2	12.5	2	M8X50	158 001 637	1	100	0.146	21	62	86	91	20
40	3/4	12.5	2	M8X50	158 001 638	1	100	0.148	21	62	86	91	20
40	1	12.5	2	M8X50	158 001 712	1	100	0.154	42	87	138	145	21
50	1/2	12.5	4	M8X50	158 001 639	1	100	0.154	21	62	86	101	20
50	3/4	12.5	2	M8X50	158 001 640	1	100	0.160	21	62	86	101	20
50	1	12.5	2	M8X50	158 001 641	1	100	0.164	21	62	86	101	20
63	1/2	12.5	4	M8X50	158 001 642	1	60	0.230	18	62	101	115	21
63	3/4	12.5	4	M8X50	158 001 643	1	60	0.234	24	62	101	115	21
63	1	12.5	4	M8X50	158 001 644	1	60	0.238	31	62	101	115	21
63	1 1/4	12.5	4	M8X50	158 001 646	1	60	0.250	31	62	101	115	21
63	1 1/2	12.5	4	M8X50	158 001 645	1	60	0.264	31	62	101	115	21
75	1/2	12.5	4	M8X70	158 001 647	1	40	0.360	16	79	123	115	14
75	3/4	12.5	4	M8X70	158 001 648	1	40	0.366	21	79	123	119	16
75	1	12.5	4	M8X70	158 001 649	1	40	0.374	27	79	123	125	19
75	1 1/4	12.5	4	M8X70	158 001 651	1	40	0.380	42	79	123	129	21
75	1 1/2	12.5	4	M8X70	158 001 650	1	40	0.384	35	79	123	129	21
75	2	12.5	4	M8X70	158 001 652	1	40	0.408	53	79	123	135	24
90	1/2	12.5	4	M8X70	158 001 653	1	30	0.406	16	87	138	129	14
90	3/4	12.5	4	M8X70	158 001 654	1	30	0.408	21	87	138	133	16
90	1	12.5	4	M8X70	158 001 655	1	30	0.416	27	87	138	139	19
90	1 1/4	12.5	4	M8X70	158 001 657	1	30	0.430	35	87	138	145	21
90	1 1/2	12.5	4	M8X70	158 001 656	1	30	0.432	42	87	138	145	21
90	2	12.5	4	M8X70	158 001 658	1	30	0.448	53	87	138	151	24
110	1/2	12.5	4	M8X70	158 001 659	1	20	0.466	15	99	152	169	23
110	3/4	12.5	4	M8X70	158 001 660	1	20	0.472	20	99	152	169	23
110	1	12.5	4	M8X70	158 001 661	1	20	0.466	26	99	152	169	23
110	1 1/4	12.5	4	M8X70	158 001 663	1	20	0.472	35	99	152	169	23
110	1 1/2	12.5	4	M8X70	158 001 662	1	20	0.484	41	99	152	169	23
110	2	12.5	4	M8X70	158 001 664	1	20	0.492	51	99	152	169	23
125	1/2	12.5	4	M8X70	158 001 665	1	20	0.544	15	101	166	189	24
125	3/4	12.5	4	M8X70	158 001 666	1	20	0.542	20	101	166	189	24
125	1	12.5	4	M8X70	158 001 667	1	20	0.534	26	101	166	189	24
125	1 1/4	12.5	4	M8X70	158 001 669	1	20	0.548	35	101	166	188	23
125	1 1/2	12.5	4	M8X70	158 001 668	1	20	0.542	41	101	166	188	23
125	2	12.5	4	M8X70	158 001 670	1	20	0.552	50	101	166	188	23

Code index

Code	Page	Code	Page	Code	Page
158 001 000	15	158 001 090	36	158 001 158	39
158 001 001	15	158 001 091	37	158 001 159	39
158 001 002	15	158 001 092	37	158 001 160	39
158 001 003	16	158 001 093	37	158 001 161	39
158 001 004	26	158 001 094	37	158 001 162	39
158 001 005	26	158 001 095	37	158 001 163	39
158 001 006	26	158 001 096	37	158 001 164	39
158 001 007	26	158 001 097	37	158 001 165	39
158 001 008	26	158 001 098	37	158 001 166	39
158 001 009	26	158 001 099	37	158 001 167	39
158 001 010	14	158 001 100	37	158 001 168	39
158 001 011	14	158 001 101	37	158 001 169	39
158 001 012	14	158 001 102	37	158 001 170	39
158 001 013	14	158 001 103	37	158 001 171	39
158 001 014	14	158 001 104	37	158 001 172	39
158 001 015	17	158 001 105	37	158 001 173	39
158 001 016	17	158 001 106	37	158 001 174	39
158 001 017	19	158 001 107	37	158 001 175	40
158 001 018	19	158 001 108	37	158 001 176	40
158 001 041	36	158 001 109	37	158 001 177	40
158 001 042	36	158 001 110	37	158 001 178	40
158 001 043	36	158 001 111	37	158 001 179	40
158 001 044	36	158 001 112	37	158 001 180	40
158 001 045	36	158 001 113	37	158 001 181	40
158 001 046	36	158 001 114	37	158 001 182	40
158 001 047	36	158 001 115	37	158 001 183	40
158 001 048	36	158 001 116	37	158 001 184	40
158 001 049	36	158 001 117	37	158 001 185	40
158 001 050	36	158 001 118	37	158 001 186	40
158 001 051	36	158 001 119	37	158 001 187	40
158 001 052	36	158 001 120	37	158 001 188	40
158 001 053	36	158 001 121	37	158 001 189	40
158 001 054	36	158 001 122	37	158 001 190	40
158 001 055	36	158 001 123	37	158 001 191	40
158 001 056	36	158 001 124	37	158 001 192	40
158 001 057	36	158 001 125	39	158 001 193	40
158 001 058	36	158 001 126	39	158 001 194	40
158 001 059	36	158 001 127	39	158 001 195	40
158 001 060	36	158 001 128	39	158 001 196	40
158 001 061	36	158 001 129	39	158 001 197	40
158 001 062	36	158 001 130	39	158 001 198	40
158 001 063	36	158 001 131	39	158 001 199	40
158 001 064	36	158 001 132	39	158 001 200	40
158 001 065	36	158 001 133	39	158 001 201	40
158 001 066	36	158 001 134	39	158 001 202	40
158 001 067	36	158 001 135	39	158 001 203	40
158 001 068	36	158 001 136	39	158 001 204	40
158 001 069	36	158 001 137	39	158 001 205	40
158 001 070	36	158 001 138	39	158 001 206	40
158 001 071	36	158 001 139	39	158 001 207	40
158 001 072	36	158 001 140	39	158 001 208	40
158 001 073	36	158 001 141	39	158 001 209	40
158 001 074	36	158 001 142	39	158 001 210	40
158 001 075	36	158 001 143	39	158 001 211	40
158 001 076	36	158 001 144	39	158 001 212	40
158 001 077	36	158 001 145	39	158 001 213	40
158 001 078	36	158 001 146	39	158 001 214	40
158 001 079	36	158 001 147	39	158 001 215	40
158 001 080	36	158 001 148	39	158 001 216	40
158 001 081	36	158 001 149	39	158 001 217	40
158 001 082	36	158 001 150	39	158 001 257	50
158 001 083	36	158 001 151	39	158 001 258	50
158 001 084	36	158 001 152	39	158 001 259	50
158 001 085	36	158 001 153	39	158 001 260	50
158 001 086	36	158 001 154	39	158 001 261	50
158 001 087	36	158 001 155	39	158 001 262	50
158 001 088	36	158 001 156	39	158 001 263	50
158 001 089	36	158 001 157	39	158 001 264	50

Code index

Code	Page
158 001 265	50
158 001 266	50
158 001 267	50
158 001 268	50
158 001 269	51
158 001 569	17
158 001 570	17
158 001 571	17
158 001 572	17
158 001 573	17
158 001 574	17
158 001 575	17
158 001 576	17
158 001 577	17
158 001 578	18
158 001 579	18
158 001 580	18
158 001 581	18
158 001 582	18
158 001 583	18
158 001 584	18
158 001 585	18
158 001 586	18
158 001 587	18
158 001 588	18
158 001 589	18
158 001 590	50
158 001 591	50
158 001 592	50
158 001 593	50
158 001 594	50
158 001 595	50
158 001 596	50
158 001 597	50
158 001 598	50
158 001 599	50
158 001 600	50
158 001 601	50
158 001 602	50
158 001 605	50
158 001 606	50
158 001 607	50
158 001 608	50
158 001 609	50
158 001 610	50
158 001 611	50
158 001 612	50
158 001 613	50
158 001 614	50
158 001 615	50
158 001 616	50
158 001 617	50
158 001 618	50
158 001 619	50
158 001 620	50
158 001 621	50
158 001 622	50
158 001 623	50
158 001 624	50
158 001 625	50
158 001 626	50
158 001 627	50
158 001 628	50
158 001 629	50
158 001 630	50
158 001 631	50
158 001 632	50
158 001 633	51

Code	Page
158 001 634	51
158 001 635	51
158 001 636	51
158 001 637	51
158 001 638	51
158 001 639	51
158 001 640	51
158 001 641	51
158 001 642	51
158 001 643	51
158 001 644	51
158 001 645	51
158 001 646	51
158 001 647	51
158 001 648	51
158 001 649	51
158 001 650	51
158 001 651	51
158 001 652	51
158 001 653	51
158 001 654	51
158 001 655	51
158 001 656	51
158 001 657	51
158 001 658	51
158 001 659	51
158 001 660	51
158 001 661	51
158 001 662	51
158 001 663	51
158 001 664	51
158 001 665	51
158 001 666	51
158 001 667	51
158 001 668	51
158 001 669	51
158 001 670	51
158 001 671	50
158 001 692	16
158 001 706	40
158 001 707	40
158 001 708	40
158 001 709	40
158 001 710	16
158 001 712	51
158 001 713	28
158 001 714	28
158 001 715	28
158 001 716	28
158 001 717	28
158 001 718	28
158 001 719	28
158 001 720	28
158 001 721	28
158 001 722	28
158 001 723	30
158 001 724	30
158 001 725	30
158 001 727	14
158 001 728	9
158 001 729	9
158 001 730	11
158 001 731	11
158 001 732	14
158 001 733	14
158 001 777	46
158 001 778	46
158 001 779	46

Code	Page
158 001 877	8
158 001 878	8
158 001 879	8
158 001 919	13
158 001 920	13
158 050 437	25
158 050 438	25
158 050 439	25
158 050 440	25
158 050 441	25
158 050 442	13
158 050 443	13
158 500 998	19
158 500 999	19
700 627 715	47
700 627 716	47
700 627 717	47
700 627 718	47
700 627 719	47
700 627 720	47
700 627 721	47
700 627 722	47
700 627 723	47
700 627 724	47
700 627 725	47
700 627 726	47
700 627 727	47
700 627 728	47
700 627 729	47
700 627 730	47
700 627 731	47
700 627 732	47
700 627 733	47
700 627 734	47
700 627 735	47
700 627 736	47
700 627 737	47
700 627 738	47
700 627 739	47
700 627 740	47
700 627 741	47
700 627 742	47
700 627 743	47
700 627 744	47
700 627 745	47
700 627 746	47
700 627 747	47
700 627 748	44
700 627 749	44
700 627 750	44
700 627 751	44
700 627 752	44
700 627 753	44
700 627 754	44
700 627 755	44
700 627 756	44
700 627 757	44
700 627 758	44
700 627 759	44
700 627 760	44
700 627 761	44
700 627 762	44
700 627 763	44
700 627 764	44
700 627 765	44
700 627 766	44
700 627 767	44
700 627 768	44

Code index

Code	Page	Code	Page	Code	Page
700 627 769	44	727 116 351	14	727 216 307	11
700 627 770	44	727 126 306	15	727 216 308	11
700 627 771	44	727 126 307	15	727 216 309	11
700 627 772	44	727 126 308	15	727 216 310	11
700 627 773	44	727 126 309	15	727 216 311	11
700 627 774	44	727 126 310	15	727 216 312	11
700 627 775	44	727 126 311	16	727 216 313	11
700 627 776	44	727 126 312	15	727 216 314	11
700 627 777	44	727 126 313	15	727 216 329	11
700 627 778	44	727 126 314	16	727 216 330	11
700 627 779	44	727 126 316	16	727 216 333	11
700 627 780	44	727 126 317	16	727 216 336	11
700 627 781	48	727 126 329	15	727 216 337	11
700 627 782	48	727 126 330	15	727 216 340	11
700 627 783	48	727 126 333	15	727 216 341	11
700 627 784	48	727 126 336	15	727 216 342	11
700 627 785	48	727 126 337	15	727 216 345	11
700 627 786	48	727 126 338	15	727 216 346	11
700 627 787	48	727 126 339	15	727 216 347	11
700 627 788	48	727 126 344	15	727 216 351	11
700 627 789	48	727 126 345	15	727 216 352	11
700 627 790	48	727 126 352	15	727 216 353	11
700 627 791	45	727 126 506	19	727 216 358	11
700 627 792	45	727 126 507	19	727 216 359	11
700 627 793	45	727 126 508	19	727 226 306	15
700 627 794	45	727 126 509	19	727 226 307	15
700 627 795	45	727 126 510	19	727 226 308	15
700 627 796	45	727 126 511	19	727 226 309	15
700 627 797	45	727 126 512	19	727 226 310	15
700 627 798	45	727 126 513	19	727 226 311	15
700 627 799	45	727 126 514	19	727 226 329	15
700 627 800	45	727 126 515	16	727 226 330	15
720 100 206	13	727 156 306	16	727 226 333	15
720 100 207	13	727 156 307	16	727 226 336	15
727 106 305	12	727 156 308	16	727 226 337	15
727 106 306	12	727 156 309	16	727 226 341	15
727 106 307	12	727 156 310	16	727 226 347	15
727 106 308	12	727 156 311	16	727 226 349	15
727 106 309	12	727 166 306	16	727 226 354	15
727 106 310	12	727 166 307	16	727 226 355	15
727 106 311	12	727 166 308	16	727 226 357	15
727 106 312	12	727 166 309	16	727 226 358	15
727 106 313	12	727 166 310	16	727 226 359	15
727 106 314	12	727 166 311	16	727 226 361	15
727 116 306	14	727 206 305	11	727 627 001	33
727 116 307	14	727 206 306	11	727 627 011	33
727 116 308	14	727 206 307	11	727 627 012	33
727 116 309	14	727 206 308	11	727 627 021	33
727 116 310	14	727 206 309	11	727 627 022	33
727 116 311	14	727 206 310	11	727 627 023	33
727 116 312	14	727 206 311	11	727 627 031	33
727 116 313	14	727 206 312	11	727 627 032	33
727 116 314	14	727 206 313	11	727 627 033	33
727 116 318	14	727 206 314	11	727 627 041	33
727 116 319	14	727 206 334	12	727 627 042	33
727 116 320	14	727 206 335	12	727 627 043	33
727 116 321	14	727 206 337	12	727 627 044	33
727 116 329	14	727 206 338	12	727 627 051	33
727 116 330	14	727 206 341	12	727 627 052	33
727 116 333	14	727 206 346	12	727 627 053	33
727 116 336	14	727 206 352	12	727 627 054	33
727 116 337	14	727 206 353	12	727 627 055	33
727 116 340	14	727 206 357	12	727 627 061	33
727 116 341	14	727 206 358	12	727 627 062	33
727 116 342	14	727 206 364	12	727 627 063	33
727 116 345	14	727 206 366	12	727 627 064	33
727 116 346	14	727 206 367	12	727 627 065	33
727 116 347	14	727 216 306	11	727 627 066	33

Code index

Code	Page
727 627 071	33
727 627 072	33
727 627 073	33
727 627 074	33
727 627 075	33
727 627 076	33
727 627 081	33
727 627 082	33
727 627 083	33
727 627 084	33
727 627 085	33
727 627 086	33
727 627 087	33
727 627 091	33
727 627 092	33
727 627 093	33
727 627 094	33
727 627 095	33
727 627 096	33
727 627 097	33
727 627 098	33
727 627 101	33
727 627 102	33
727 627 103	33
727 627 104	34
727 627 105	34
727 627 106	34
727 627 107	34
727 627 108	34
727 627 111	34
727 627 112	34
727 627 113	34
727 627 114	34
727 627 115	34
727 627 116	34
727 627 117	34
727 627 118	34
727 627 123	34
727 627 124	34
727 627 125	34
727 627 126	34
727 627 127	34
727 627 128	34
727 627 135	34
727 627 136	34
727 627 137	34
727 627 138	34
727 627 145	34
727 627 146	34
727 627 147	34
727 627 148	34
727 627 156	34
727 627 157	34
727 627 158	34
727 627 166	34
727 627 167	34
727 627 168	34
727 627 176	34
727 627 177	34
727 627 178	34
727 696 406	26
727 696 407	26
727 696 408	26
727 696 409	26
727 696 410	27
727 696 411	27
727 696 412	27
727 696 413	27

Code	Page
727 696 414	27
727 706 311	7
727 706 312	7
727 706 313	8
727 706 314	8
727 706 350	7
727 706 351	7
727 706 357	7
727 706 363	7
727 706 369	8
727 816 400	26
727 816 401	26
727 816 402	26
727 816 405	26
727 816 406	26
727 816 407	26
727 816 408	26
727 816 409	26
727 816 410	26
727 816 411	26
727 826 400	23
727 826 401	23
727 826 402	23
727 826 405	26
727 826 406	26
727 826 407	26
727 826 408	26
727 826 409	26
727 826 410	26
727 826 411	26
727 826 415	22
727 826 416	22
727 826 417	22
727 826 418	22
727 826 419	22
727 826 420	22
727 826 421	26
727 826 422	26
727 826 423	26
727 826 430	20
727 826 431	20
727 826 432	20
727 826 433	20
727 826 434	20
727 826 435	20
727 826 436	20
727 826 437	20
727 826 438	20
727 826 439	20
727 826 440	20
727 826 441	20
727 826 442	20
727 826 506	24
727 826 507	24
727 826 508	24
727 826 509	24
727 826 510	24
727 826 511	24
727 826 512	24
727 826 513	24
727 826 514	24
727 906 305	9
727 906 306	9
727 906 307	9
727 906 308	9
727 906 309	9
727 906 310	9
727 906 311	9

Code	Page
727 906 312	9
727 906 313	9
727 906 314	9
727 906 334	10
727 906 335	10
727 906 337	10
727 906 340	10
727 906 341	10
727 906 346	10
727 906 347	10
727 906 352	10
727 906 353	10
727 906 356	10
727 906 357	10
727 906 358	10
727 906 363	10
727 906 364	10
727 906 370	10
727 906 371	10
727 906 376	10
727 916 306	8
727 916 307	8
727 916 308	8
727 916 309	8
727 916 310	8
727 916 311	9
727 916 312	9
727 916 313	9
727 916 314	9
727 916 329	8
727 916 330	8
727 916 333	8
727 916 336	8
727 916 337	8
727 916 340	8
727 916 341	8
727 916 345	8
727 916 346	8
727 916 351	8
727 916 352	8
727 916 353	8
727 916 358	8
727 916 364	9
727 916 371	9
727 916 372	9
727 916 376	9
727 916 506	18
727 916 507	18
727 916 509	18
727 916 512	18
727 916 513	18
727 916 514	18
727 926 306	7
727 926 307	7
727 926 308	7
727 926 309	7
727 926 310	7
727 926 311	7
727 926 312	7
727 926 313	7
727 926 314	7
727 926 329	7
727 926 330	7
727 926 332	7
727 926 333	7
727 926 336	7
727 926 337	7
727 926 339	7

Code index

Code	Page
727 926 340	7
727 926 341	7
727 926 345	7
727 926 346	7
727 926 347	7
727 926 351	7
727 926 352	7
727 926 353	7
727 926 357	7
727 926 358	7
727 926 363	7
727 926 364	7
727 926 369	7
727 926 371	7
727 926 372	7
727 926 376	7
727 926 506	17
727 926 507	17
727 926 508	17
727 926 509	17
727 926 510	17
727 926 511	17
727 926 512	17
727 926 513	17
727 926 514	17
727 926 515	17
727 926 516	17
727 926 517	17
727 936 306	9
727 936 307	9
727 936 308	9
727 936 309	9
727 936 310	9
727 936 311	9
727 936 312	9
727 936 313	9
727 936 314	9
727 966 305	16
727 966 306	16
727 966 307	16
727 966 308	16
727 966 309	16
727 966 310	16
727 966 311	17
727 966 312	17
727 966 313	17
727 966 314	17
745 416 400	26
745 416 401	26
745 416 402	26
745 416 405	26
745 416 406	26
745 416 407	26
745 416 408	26
745 416 409	26
745 416 410	26
745 416 411	26

General Conditions of Supply

1. General

1.1 These general conditions shall apply to all goods supplied by Georg Fischer TPA srl to the Purchaser. They shall also apply to all future business even when no express reference is made to them.

1.2 Any deviating or supplementary conditions, especially Purchaser's general conditions of purchase, and verbal agreements shall only be applicable if accepted in writing by Georg Fischer TPA srl.

2. Tenders

Tenders shall only be binding if they contain a specifically stated period for acceptance.

3. Scope of Delivery

3.1 Georg Fischer TPA srl's product range is subject to change.

3.2 The confirmation of order shall govern the scope and execution of the contract.

4. Data and Documents

4.1 Technical documents such as drawings, descriptions, illustrations and data on dimensions, performance and weight as well as the reference to standards are for information purposes only. They are not warranted characteristics and are subject to change.

4.2 All technical documents shall remain the exclusive property of Georg Fischer TPA srl and may only be used for the agreed purposes or as Georg Fischer TPA srl may consent.

4.3 In the context of the contractual relation with the Purchaser personal data may be processed. The Purchaser agrees to the disclosure of said data to third parties, such as foreign subcontractors and suppliers etc.

5. Local Laws and Regulations

The Purchaser shall bring to the attention of Georg Fischer TPA srl all local laws and regulations at the place of destination which bear connection with the execution of the contract and the adherence to relevant safety regulations and approval procedures.

6. Prices

6.1 Unless agreed otherwise, the prices shall be deemed quoted net, ex works, including standard packing. All supplementary costs, such as the cost of carriage, insurance, export and import licences, etc. shall be borne by the Purchaser. The Purchaser shall also bear the costs of all taxes, fees, duties, etc. connected with the contract.

6.2 If the costs of packing, carriage, insurance, fees and other supplementary costs are included in the tender price or contract price or are referred to specifically in the tender or confirmation of order, Georg Fischer TPA srl reserve the right to revise their prices accordingly should any change occur in the relevant tariffs.

7. Payment

7.1 The Purchaser shall make payment in the manner agreed by the parties to the Georg Fischer works conducting the account without any deductions such as discounts, costs, taxes or dues.

7.2 The Purchaser may only withhold or off-set payments due against counter-claims which are either expressly acknowledged by Georg Fischer TPA srl or finally awarded to the Purchaser. In particular, payment shall still be made when unessential items are still outstanding provided, however, that the goods already delivered are not rendered unusable as a result.

8. Retention of Title

8.1 The goods shall remain the property of Georg Fischer TPA srl until the Purchaser shall have settled all claims, present and future, which Georg Fischer TPA srl may have against him.

8.2 Should the Purchaser sell goods to which title is reserved he shall then be deemed to have tacitly assigned to Georg Fischer TPA srl the proceeds deriving from their sale together with all collateral rights, securities and reservations of title until all claims held by Georg Fischer TPA srl shall have been settled.

8.3 To the extent the value of the goods to which title is reserved together with collateral securities should exceed Georg Fischer TPA srl's claims against the Purchaser by more than 20%, Georg Fischer TPA srl shall reassign the above proceeds to Purchaser at his request.

8.4 In case of default on the part of the Purchaser, in particular in case of arrears, Georg Fischer shall be entitled to repossession of the goods after having given notice to this effect, and the Purchaser shall be obligated to surrender the goods.

9. Delivery

9.1 The term of delivery shall commence as soon as the contract has been entered into, all official formalities such as import and payment permits have been obtained and all essential technical points have been settled. The term of delivery shall be deemed duly observed when, upon its expiry, the goods are ready for despatch.

9.2 Delivery is subject to the following conditions, i. e. the term of delivery shall be reasonably extended:

a) if Georg Fischer TPA srl are not supplied in time with the information necessary for the execution of the contract or if subsequent changes causing delays are made by the Purchaser.

b) if Georg Fischer TPA srl are prevented from performing the contract by force majeure. Force majeure shall equally be deemed to be any unforeseeable event beyond Georg Fischer TPA srl's control which renders Georg Fischer TPA srl's performance commercially unpracticable or impossible, such as delayed or defective supplies from subcontractors, labour disputes, governmental orders or regulations, shortages in materials or energy, serious disturbances in Georg Fischer TPA srl's works, such as the total or partial destruction of plant and equipment or the breakdown of essential facilities, serious disruptions in transport facilities, e.g. impassable roads. Should the effect of force majeure exceed a period of six months, either party may cancel the contract forthwith. Georg Fischer TPA srl shall not be liable for any damage or loss of any kind whatsoever resulting therefrom, any suspension or cancellation being without prejudice to Georg Fischer TPA srl's right to recover all sums due in respect of consignments delivered and costs incurred to date.

c) if the Purchaser fails to fulfil or delays in fulfilling his obligations under the contract, in particular if he does not adhere to the agreed conditions of payment.

9.3 If for reasons attributable to Georg Fischer TPA srl a reasonable term of delivery is exceeded, Georg Fischer TPA srl shall not be deemed in default until the Purchaser has granted to Georg Fischer TPA srl in writing a reasonable extension thereof of not less than one month which equally is not met. The Purchaser shall then be entitled to cancel the contract.

9.4 If the Purchaser fails to take delivery within a reasonable time of goods notified as ready for despatch, Georg Fischer TPA srl shall be entitled to store the goods at the Purchaser's expense and risk and to invoice them as delivered. Partial shipments shall be allowed and Georg Fischer TPA srl shall be entitled to invoice for such deliveries.

9.5 If Georg Fischer TPA srl do not insist on the performance of a contract cancelled by the Purchaser, a penalty of 10% of the contract price shall become due unless Georg Fischer TPA srl can prove greater damages.

10. Packing

If the goods are provided with additional packing over and above the standard packing, such packing shall be invoiced separately and be non-returnable.

11. Passing of Risk

11.1 The risk in the goods shall pass to the Purchaser as soon as they have left Georg Fischer TPA srl's works, even if delivery is made carriage-paid, under similar clauses or in cluding installation or when carriage is organized and managed by Georg Fischer TPA srl.

11.2 If delivery is delayed for reasons beyond Georg Fischer TPA srl's control, the risk shall pass to the Purchaser when he is notified that the goods are ready for despatch.

12. Carriage and Insurance

Unless agreed otherwise, the Purchaser shall bear the cost of carriage.

12.1 The Purchaser shall be responsible for insurance against damage of whatever kind. Even when such insurance is arranged by Georg Fischer TPA srl it shall be deemed taken out by the order of and for the account of the Purchaser and at his risk.

12.2 Special requests regarding carriage and insurance shall be communicated to Georg Fischer TPA srl in due time. Otherwise carriage shall be arranged by Georg Fischer TPA srl at their discretion, but without responsibility, by the quickest and cheapest method possible.

12.3 In case of carriage-paid delivery transport arrangements shall be made by Georg Fischer TPA srl. If the Purchaser specifies particular requirements, any extra costs involved shall be borne by him.

12.4 In the event of damage or loss of the goods during carriage the Purchaser shall mark the delivery documents accordingly and immediately have the damage ascertained by the carrier.

Not readily ascertainable damages sustained during carriage shall be notified to the carrier within six days after receipt of the goods.

13. Inspection and Acceptance

13.1 The goods will be subject to normal inspection by Georg Fischer TPA srl during manufacture. Additional tests required by the Purchaser shall be agreed upon in writing and shall be charged to the Purchaser.

13.2 It shall be a condition of Georg Fischer TPA srl's obligation under the warranties stated here-in after that Georg Fischer TPA srl be notified in writing by the Purchaser of any purported defect immediately upon discovery. Notice concerning weight, numbers or apparent defects is to be given latest within 30 days from receipt of the goods, notice of other defects latest within the agreed warranty period.

14. Warranty

14.1 At the written request of the Purchaser, Georg Fischer TPA srl undertake to repair or replace, at their discretion, as quickly as possible and free of charge all goods supplied which demonstrably suffer from faulty design, materials or workmanship or from faulty operation or installation instructions. Replaced parts shall become property of Georg Fischer TPA srl.

14.2 The Purchaser shall be entitled to cancel the contract or to demand a reduction in the contract price if:

- repair or replacement is impossible, or

- Georg Fischer TPA srl are unable or refuse to remedy the defect or replace the defective goods within a reasonable period of time or are unduly delaying such remedy or replacement.

14.3 For goods which are manufactured to specifications, drawings or patterns supplied by the Purchaser, Georg Fischer TPA srl's warranty shall be restricted to proper materials and workmanship.

14.4 This warranty shall not apply to damage resulting from normal wear, improper storage and maintenance, failure to observe the operating instructions, overstressing or overloading, unsuitable operating media, improper repairs or alterations by the Purchaser or third parties, the use of non-genuine parts and other reasons beyond Georg Fischer TPA srl's control.

14.5 For goods or essential components manufactured by a third party and supplied by Georg Fischer TPA srl under this contract, Georg Fischer TPA srl's warranty is limited to the warranty provided by said third party.

14.6 No action or claim may be brought by the Purchaser on account of any alleged breach of warranty or any other obligation of Georg Fischer TPA srl after the expiration of twelve (12) months from receipt of the goods by the end user or at the latest within eighteen (18) months of the goods being despatched by Georg Fischer TPA srl.

15. Limitation of Liability

The warranties set forth above are expressly in lieu of any express warranty of any kind and in lieu of any implied warranty, including any warranty of merchantability or fitness for a particular purpose. Georg Fischer TPA srl shall not be liable for any incidental special or consequential damages, such as loss of profits, loss of production, loss of use or loss of contract, arising for any reason, including damages resulting from delayed delivery, defective design, materials or workmanship or from faulty instructions and whether such damages are claimed to arise from breach of contract, in tort, the theory of product liability or otherwise; reservation is solely being made for Georg Fischer TPA srl's statutory liability due to material breach of an essential contractual obligation, express representations, wrongful intent, gross negligence or product liability acts.

16. Place of Performance and Jurisdiction

16.1 Place of performance for the goods shall be the Georg Fischer TPA srl works from which the goods are despatched.

16.2 Any civil action based upon any alleged breach of this contract shall be filed and prosecuted exclusively in the courts having jurisdiction over the Georg Fischer TPA srl works invoicing the goods. Georg Fischer TPA srl however reserves the right to file actions in any court having jurisdiction over controversies arising out of or in connection with the present contract.

16.3 The contract shall be governed by the law applicable at the place of business of the Georg Fischer TPA srl works invoicing the goods in question.

GF Piping Systems – worldwide at home

Our sales companies and representatives ensure local customer support in over 100 countries.

www.piping.georgfischer.com



The technical data is not binding. They neither constitute expressly warranted characteristics nor guaranteed properties nor a guaranteed durability. They are subject to modification. Our General Terms of Sale apply.

Adding Quality to People's Lives

Argentina/Southern South America

Georg Fischer Central Plastics
Sudamérica S.R.L.
Buenos Aires, Argentina
Phone +5411 4512 02 90
gfcentral.ps.ar@georgfischer.com

Australia

George Fischer Pty Ltd
Riverwood NSW 2210 Australia
Phone +61(0)2 9502 8000
australia.ps@georgfischer.com
www.georgfischer.com.au

Austria

Georg Fischer
Rohrleitungssysteme GmbH
3130 Herzogenburg
Phone +43(0)2782 856 43-0
austria.ps@georgfischer.com
www.georgfischer.at

Belgium/Luxembourg

Georg Fischer NV/SA
1070 Bruxelles/Brüssel
Phone +32(0)2 556 40 20
be.ps@georgfischer.com
www.georgfischer.be

Brazil

Georg Fischer Sist. de Tub. Ltda.
04795-100 São Paulo
Phone +55(0)11 5525 1311
br.ps@georgfischer.com
www.georgfischer.com.br

Canada

Georg Fischer Piping Systems Ltd
Mississauga, ON L5T 2B2
Phone +1(905)670 8005
Fax +1(905)670 8513
ca.ps@georgfischer.com
www.georgfischer.ca

China

Georg Fischer
Piping Systems Ltd Shanghai
Pudong, Shanghai 201319
Phone +86(0)21 58 13 33 33
china.ps@georgfischer.com
www.georgfischer.cn

Denmark/Iceland

Georg Fischer A/S
2630 Taastrup
Phone +45 (0)70 22 19 75
info.dk.ps@georgfischer.com
www.georgfischer.dk

Finland

Georg Fischer AB
01510 VANTAA
Phone +358 (0)9 586 58 25
Fax +358 (0)9 586 58 29
info.fi.ps@georgfischer.com
www.georgfischer.fi

France

Georg Fischer SAS
95932 Roissy Charles de Gaulle Cedex
Phone +33(0)1 41 84 68 84
fr.ps@georgfischer.com
www.georgfischer.fr

Germany

Georg Fischer GmbH
73095 Albershausen
Phone +49(0)7161 302-0
info.de.ps@georgfischer.com
www.georgfischer.de

India

Georg Fischer Piping Systems Ltd
400 076 Mumbai
Phone +91 224007 2001
in.ps@georgfischer.com
www.georgfischer.in

Italy

Georg Fischer S.p.A.
20043 Cernusco S/N (MI)
Phone +3902 921 861
it.ps@georgfischer.com
www.georgfischer.it

Japan

Georg Fischer Ltd
556-0011 Osaka,
Pudong, Shanghai 201319
Phone +81(0)6 6635 2691
jp.ps@georgfischer.com
www.georgfischer.jp

Korea

Georg Fischer Piping Systems
271-3 Seohyeon-dong Bundang-gu
Seongnam-si, Gyeonggi-do
Seoul 463-824
Phone +82 31 8017 1450
Fax +82 31 8017 1454
kor.ps@georgfischer.com
www.georgfischer.kr

Malaysia

Georg Fischer (M) Sdn. Bhd.
40460 Shah Alam, Selangor Darul Ehsan
Phone +60 (0)3 5122 5585
my.ps@georgfischer.com
www.georgfischer.my

Mexico/Northern Latin America

Georg Fischer S.A. de C.V.
Apodaca, Nuevo Leon
CP66636 Mexico
Phone +52 (81)1340 8586
Fax +52 (81)1522 8906
mx.ps@georgfischer.com
www.georgfischer.mx

Middle East

Georg Fischer
Piping Systems [Switzerland] Ltd.
Dubai, United Arab Emirates
Phone +971 4 289 49 60
gcc.ps@georgfischer.com
www.export.georgfischer.com

Netherlands

Georg Fischer N.V.
8161 PA Epe
Phone +31(0)578 678 222
nl.ps@georgfischer.com
www.georgfischer.nl

Norway

Georg Fischer AS
1351 Rud
Phone +47(0)67 18 29 00
no.ps@georgfischer.com
www.georgfischer.no

Poland

Georg Fischer Sp. z o.o.
05-090 Sekocin Nowy
Phone +48(0)22 31 31 0 50
poland.ps@georgfischer.com
www.georgfischer.pl

Romania

Georg Fischer
Piping Systems [Switzerland] Ltd.
020257 Bucharest - Sector 2
Phone +40(0)21 230 53 80
ro.ps@georgfischer.com
www.export.georgfischer.com

Russia

Georg Fischer
Piping Systems [Switzerland] Ltd.
Moscow 125047
Tel. +7 495 258 60 80
ru.ps@georgfischer.com
www.georgfischer.ru

Singapore

George Fischer Pte Ltd
528 872 Singapore
Phone +65(0)67 47 06 11
sgp.ps@georgfischer.com
www.georgfischer.sg

Spain/Portugal

Georg Fischer S.A.
28046 Madrid
Phone +34(0)91 781 98 90
es.ps@georgfischer.com
www.georgfischer.es

Sweden

Georg Fischer AB
117 43 Stockholm
Phone +46(0)8 506 775 00
info.se.ps@georgfischer.com
www.georgfischer.se

Switzerland

Georg Fischer
Rohrleitungssysteme [Schweiz] AG
8201 Schaffhausen
Phone +41(0)52 631 30 26
ch.ps@georgfischer.com
www.piping.georgfischer.ch

Taiwan

Georg Fischer Co., Ltd.
San Chung Dist., New Taipei City
Phone +886 2 8512 2822
Fax +886 2 8512 2823
www.georgfischer.tw

United Kingdom/Ireland

Georg Fischer Sales Limited
Coventry, CV2 2ST
Phone +44(0)2476 535 535
uk.ps@georgfischer.com
www.georgfischer.co.uk

USA/Caribbean

Georg Fischer LLC
Tustin, CA 92780-7258
Phone +1(714) 731 88 00
Toll Free 800 854 40 90
us.ps@georgfischer.com
www.gfiping.com

Vietnam

Georg Fischer Pte Ltd
136E Tran Vu, Ba Dinh District, Hanoi
Phone +84 4 3715 3290
Fax +84 4 3715 3285

International

Georg Fischer
Piping Systems [Switzerland] Ltd.
8201 Schaffhausen/Switzerland
Phone +41(0)52 631 30 03
Fax +41(0)52 631 28 93
info.export@georgfischer.com
www.export.georgfischer.com

700.671.516

GFDO_9198_4a [04.12]

© Georg Fischer Piping Systems Ltd
CH-8201 Schaffhausen/Switzerland, 2010
Printed in Germany



+GF+

GEORG FISCHER
PIPING SYSTEMS